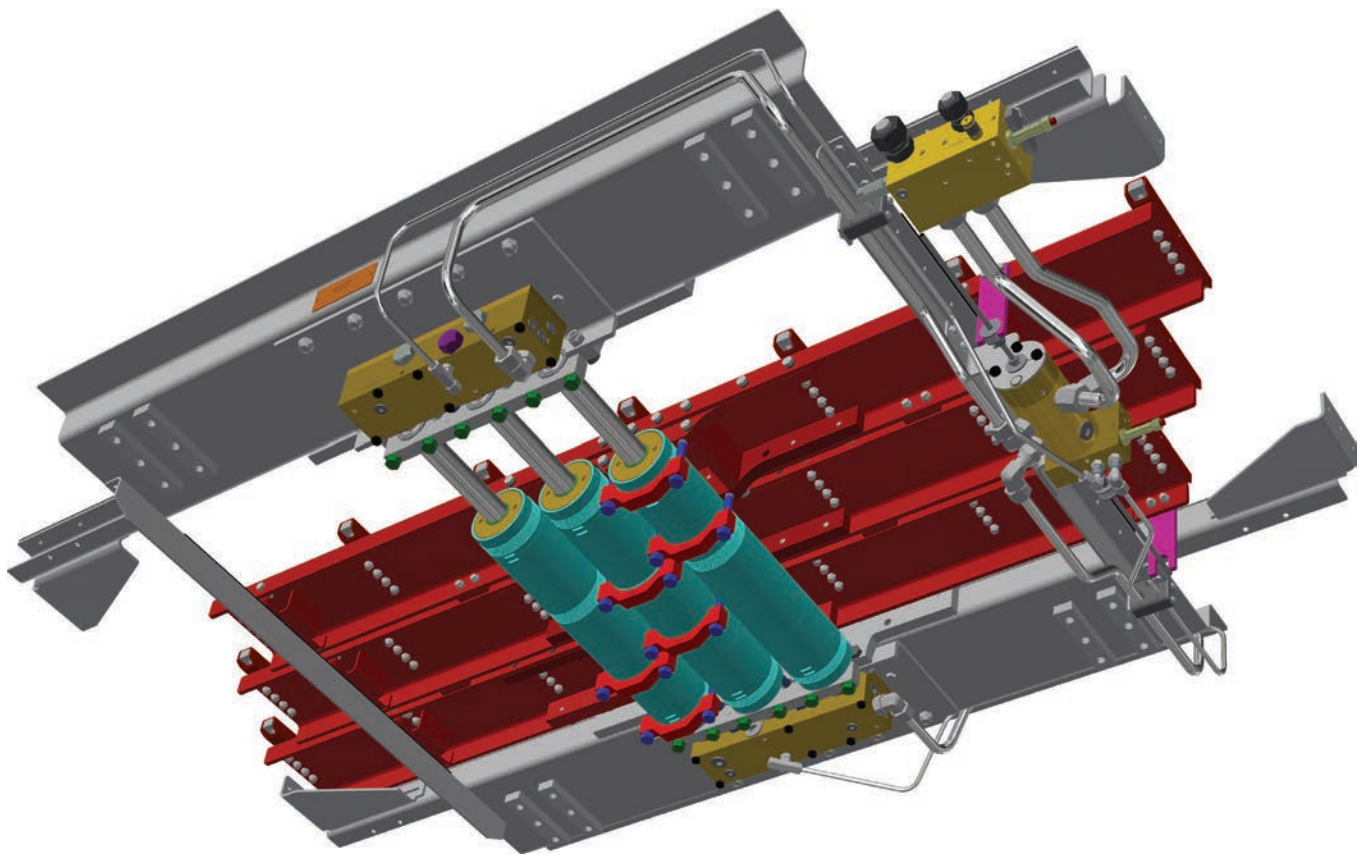


KEITH
MANUFACTURING CO

S-Drive™

KEITH Manufacturing Co.
www.KeithWalkingFloor.com
World Headquarters
Toll-Free: 800-547-6161
Phone: +1-541-475-3802

Europe Headquarters
Phone: +31-342-422007



PARTS CATALOG

©2024 KEITH Manufacturing Co. All Rights Reserved. KEITH, KEITH logo and WALKING FLOOR are registered trademarks of KEITH Manufacturing Co. Equipment manufactured by KEITH Manufacturing Co. is protected by numerous patents both domestic and foreign.

Released: 2024-04-01

DOC06326 Rev. C

Table of Contents

Contact Information - KEITH Manufacturing Co.	ii
Service Information	ii
Frame Assembly Components	1
Cross-Drive Assembly (Post 2019)	3
Cylinder Assembly (April 2020 - Present)	5
Manifold Assembly - ORFS (Post 2019)	7
Manifold Assembly - JIC (2019)	9
Manifold End Fitting Configurations	11
Manifold Shim Plate	12
Hydraulic Tubing - ORFS (Post 2019)	13
Hydraulic Tubing - JIC (2019)	15
Switching Valve & Control Valve Assembly - ORFS (Post 2019)	17
Switching Valve & Control Valve Assembly - JIC (2019)	19
Threaded Rod Assembly	21
Handle Assemblies	22
On / Off Valve Assembly - ORFS (Post 2019)	23
On / Off Valve Assembly - JIC (2019)	25
On / Off Valve Assembly - JIC (2018)	27
Hydraulic Tube Clamp 3/8" & 3/4"	29

Contact Information - KEITH Manufacturing Co.

World Headquarters - USA

401 NW Adler St.
Madras, OR 97741
Toll-Free: 800-547-6161
Phone: +1-541-475-3802
Email: Sales@KeithWalkingFloor.com

Europe Headquarters

Barneveld, The Netherlands
Phone: +31-342-422007
Email: EuroSales@KeithWalkingFloor.com

Canada

Brantford, ON
Phone: +1-519-756-9178
Email: CanadaSales@KeithWalkingFloor.com

México

Guadalajara, Jal.
Phone: +52-333-616-5079
Email: KMC_Mexico@KeithWalkingFloor.com

Australia

Waverley Gardens, VIC
Phone: +61-3-9562-2190
Email: AUSales@KeithWalkingFloor.com

Not all parts or services available in all regions. Some components may only be sold assembled or in kits. Contact your regional office for information on available parts and services.

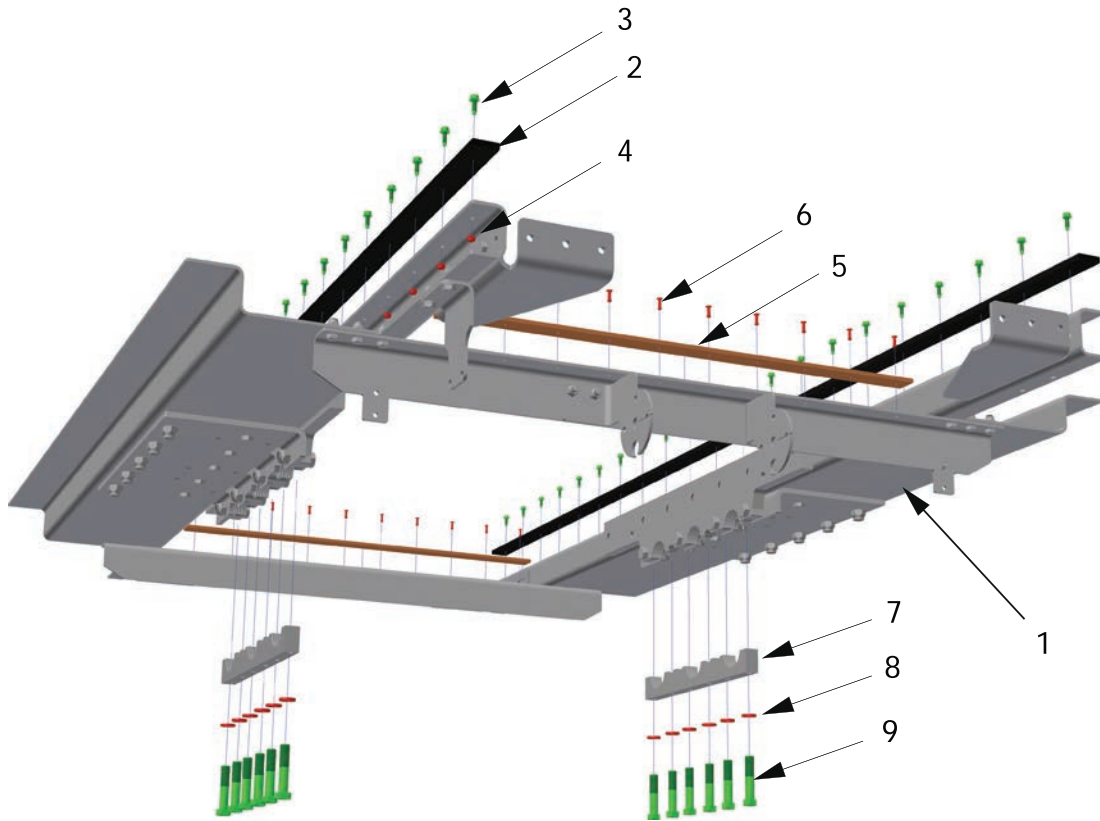
Service Information

- Use hydraulic oil or Vaseline to lubricate seals. Do NOT use grease.
- Do NOT use Teflon tape on any hydraulic components.
- When welding on drive frame, ground specifically to what you are welding on, otherwise it can short across component assemblies damaging seals and gaskets.
- KEITH sells flow meters, pressure testers for troubleshooting and several tools to aid in rebuilding components and drives.

KEITH Mfg. fabricates many standard drive systems, included in this parts catalog, and also fabricates custom drive systems, too numerous to include, therefore KEITH requires the following information from your drive system to ensure we provide you with most accurate information. Please have the following information readily available before contacting KEITH for support:

- Model Number (Located on the Serial Plate of the drive unit)
- Serial Number (Located on the Serial Plate on the drive unit)
- Quantity & length of floor slats
- Vehicle make and unit installer

Frame Assembly Components



Bolt Torque

M16 Bolts: 244 Nm [180 ft lbs]

Frame Assembly Components

ID #	Qty	Part #	Description
1	-	10443901	S-Drive Frame Assembly (Post 2019) (Includes items 2-6)
2	2	10443914	BEARING FORMED CHANNEL 3/8 KSD UHMW BLACK
3	42	87703525	BOLT FLANGE GR8.8 6MM-1.0 X 20MM ZN
4	42	87100500	NUT HEX NYLOCK 6MM-1.0 ZINC
5	2	09909101	CROSS DRIVE SUPPORT 1/4 KSD UHMW
6	20	86528150	RIVET POP 3/16 X 1/2 AB6-8
7	2	06200901	LOWER TRIPLE ROD CLAMP (sold separately)
8	12	87078000	WASHER LOCK 16MM (sold separately)
9	12	87017010	BOLT HEX GR10.9 16MMX80MM ZINC PATCH (sold separately)

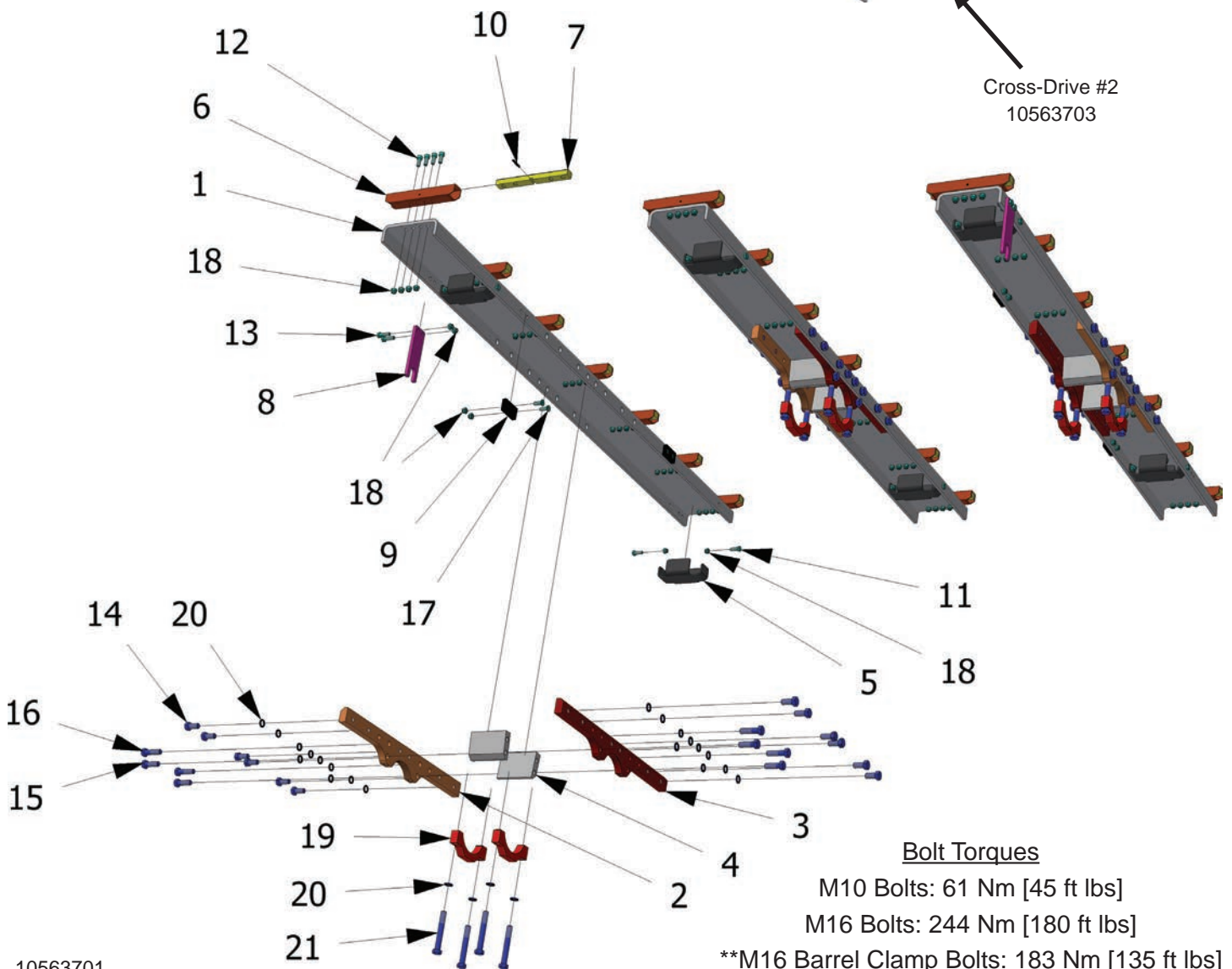
Cross-Drive Assembly (Post 2019)

Cross-Drives #1 & #3
10563702

Cross-Drive Set
10563701

Special alignment jig 62047
required for assembly

Cross-Drive #2
10563703



10563701

Cross-Drive Assembly (Post 2019)

ID #	Qty	Qty	Part #	Description
-	(2)	(1)	10563701 ⁽¹⁾	CROSS DRIVE SET 21-SLAT METRIC S-DRIVE CHANNEL 112mm SC (Includes (2) 10563702 & (1) 10563703)
	#1 & #3 10563702	#2 10563703		CROSS-DRIVE ASSEMBLIES (Includes items 1-18)
1	1	-	10563707	CROSS-DRIVES #1&3 S-DRIVE 3/8 FORMED CHANNEL
1	-	1	10563708	CROSS-DRIVE #2 S-DRIVE 3/8 FORMED CHANNEL
2	1	1	10563775	GROOVED BARREL CLAMP S-DRIVE M16 BOLTS
3	1	1	10563776	SMOOTH BARREL CLAMP S-DRIVE M16 BOLTS
4	2	2	10563749	BARREL CLAMP 1.0" SUPPORT S-DRIVE
5	2	2	10527949	SPACER FOR CROSS-DRIVE SUPPORT
6	7	7	09803001	DRIVE SHOE, NUT BAR STYLE
7	7	7	09778902	NUT BAR S-DRIVE DRIVE SHOE
8	1	-	10563709	ACTUATOR SWITCHING VALVE S-DRIVE
9	2	-	10563711	CUSHION CROSS-DRIVE S-DRIVE
10	7	7	86651450	PIN ROLL 1/4"X1-1/2" ZINC
11	4	4	87008500	* BOLT HEX 10.9 10MMX30MM
12	28	28	87008504	* BOLT SOCKET HEAD 10MMX25MM
13	2	-	87008510	* BOLT HEX 10.9 10MMX35MM
14	12	12	87015625	BOLT HEX GR10.9 16MMX35MM ZINC PATCHLOC
15	4	4	87016505	BOLT HEX GR10.9 16MMX50MM ZINC PATCHLOC
16	4	4	87016555	BOLT HEX GR10.9 16MMX60MM ZINC PATCHLOC
17	4	-	87701800	BOLT 10MMX30MM Ecoguard (Torque = Snug)
18	38	32	87102000	NUT HEX NYLOCK 10mm
19	2	2	06200701	425 GROOVED LOWER BARREL CLAMP
20	24	24	86559090	5/8 NORDLOCK WASHER (2 PCS=1)
21	4	4	87018510	** BOLT HEX GR10.9 16MMx120MM PATCHLOC

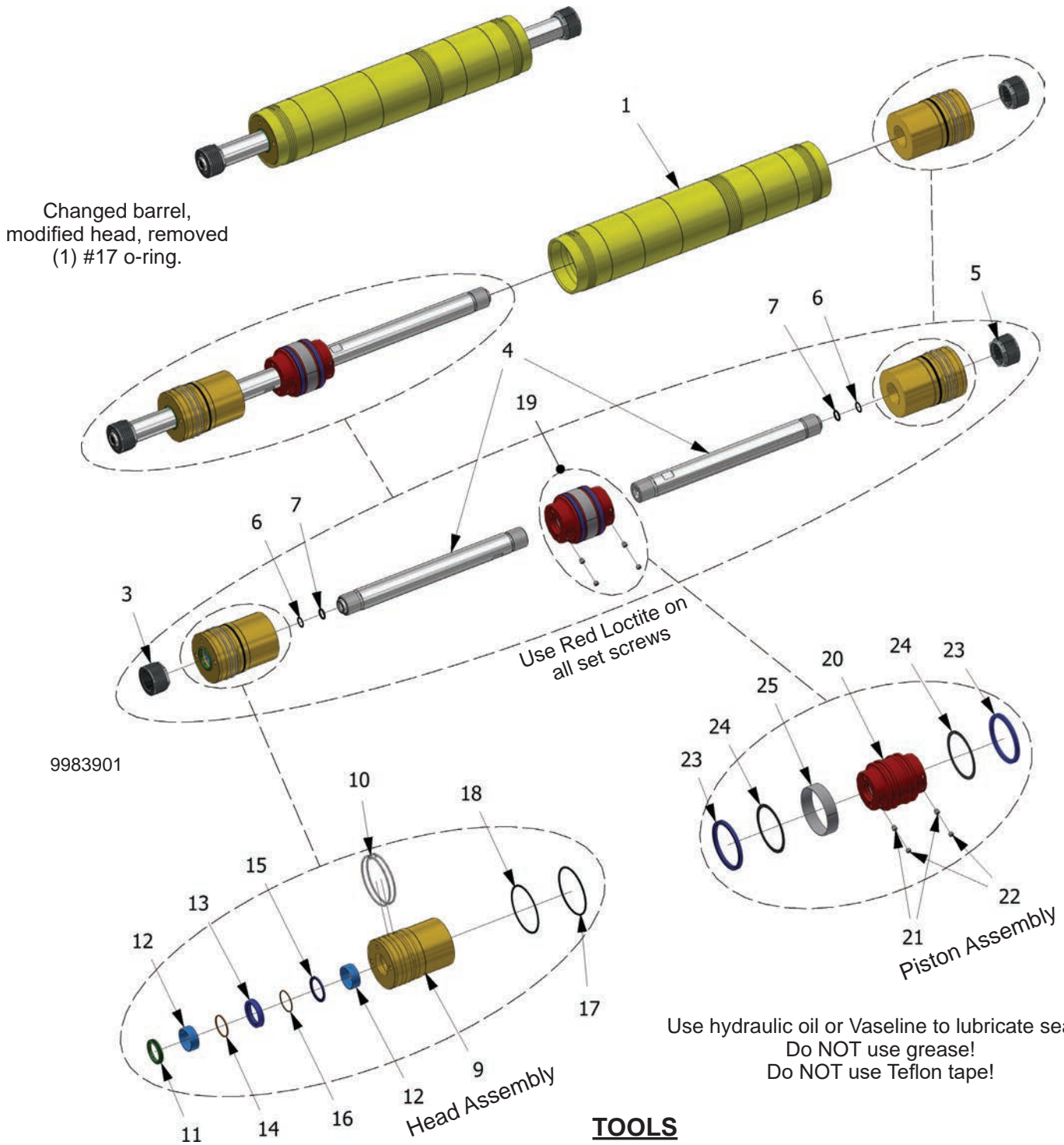
* Requires red Loctite 263.

** Requires blue Loctite 243. **NOTE:** Over tightening the barrel clamp bolts can deform the cylinder barrel shape causing the system to not function properly.

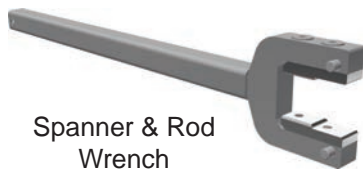
⁽¹⁾ Part numbers and descriptions vary based on drive configuration and application. Drive serial number must be provided to determine actual part numbers.

Cylinder Assembly (April 2020 - Present)

Drive Serial number must be provided to determine actual part numbers.



TOOLS

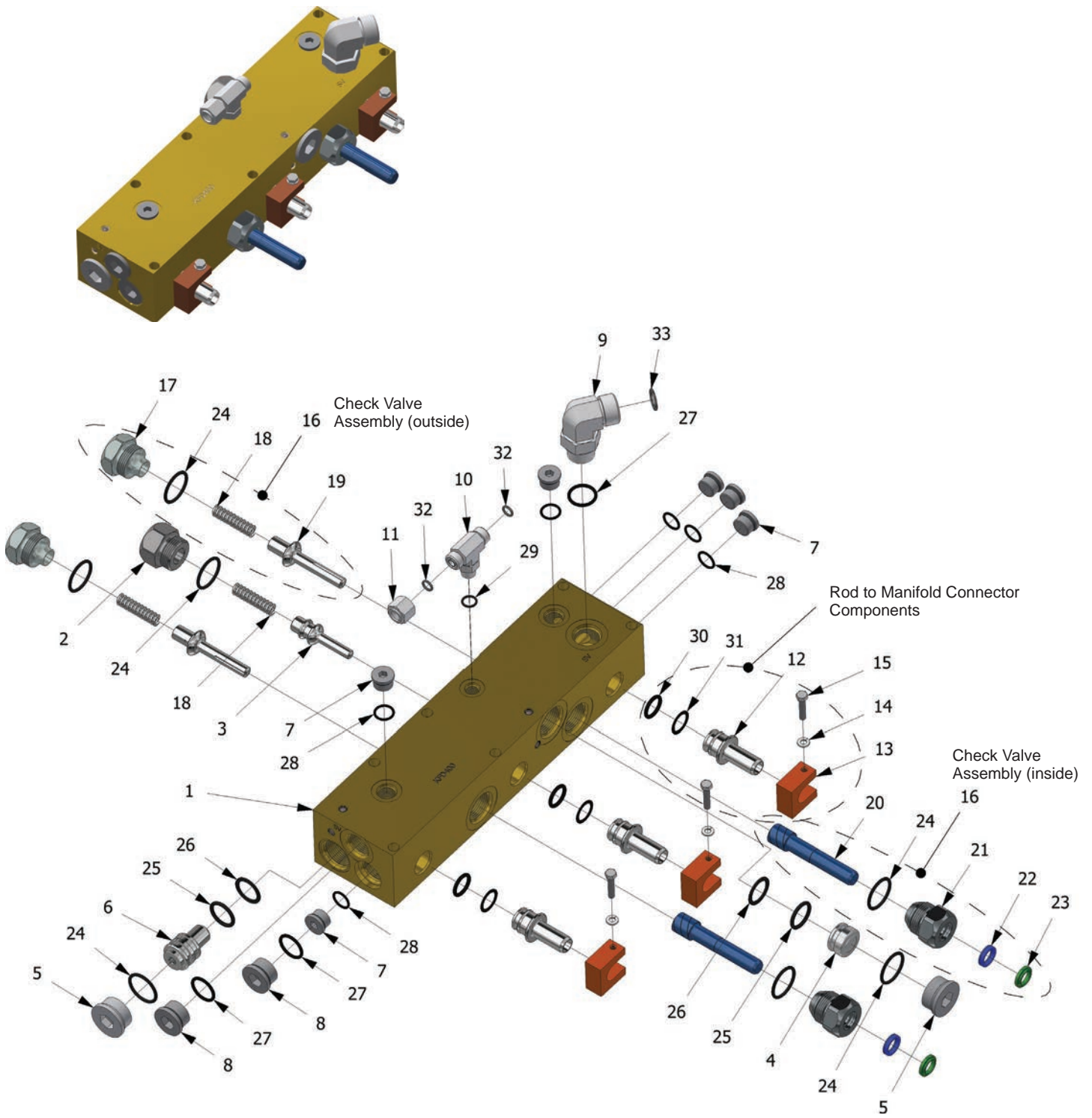


Cylinder Assembly (April 2020 - Present)

ID#	Qty	Part #	Description
-	-	09983901⁽¹⁾	CYLINDER ASSEMBLY, 4.25 Bore, 8" Stroke (Includes items 1-25)
1	1	10734501	BARREL KSD 5.0 X 4.25 S-DRIVE ROUND WIRE LOCK
3	1	05732001	Stationary Rod Nut
4	2	05828001	45mm ROD 5/8" I.D. (Not sold separately)
5	1	05730101	Adjustable Rod Nut
6	2	84390400	209 Back-up Buna 90
7	2	84380000	209 O-Ring Buna 90
9	1	06201601	Aluminum Head 425 S-Drive
10	2	06201701	Wire Lock, Round 4.25"
11	1	84426605	Wiper, Rod, 45mm
12	2	84401205	Wear Ring, Cylinder Rod, 45mm, PTFE (Blue)
13	1	84354200	Rod Seal, R2 Cylinder 45mm
14	1	w/Seal	Backup Ring, Rod Seal 45mm (comes w/84354200)
15	1	84400201	Seal, Buffer 45mm
16	1	w/Seal	Backup Ring, 45mm (comes w/84400201)
17	1	84385230	242 O-Ring Buna 90
18	1	84393230	242 Back-up Buna 90
20	1	10305501	4.25" Aluminum Piston
21	2	87007990	Screw Set Cup Point M10x1.5 x 8
22	2	87007995	SCREW SET FULL DOG - M10x1.5x10
23	2	84352510	Seal Piston Cylinder 4.25"
24	2	84352511	4.25" Piston Seal Back-Up Ring
25	1	84403852	Wear Ring Piston 4.25"
-	-	06201801	CYLINDER SEAL KIT (Includes items 5-7, 10-18, 21-25)
TOOLS			
-	-	10315001	Spanner Wrench for Piston 4.25"
-	-	07306001	Spanner & Rod Wrench for Head Assembly
-	-	07481501	Rod Nose Cone (45 mm = 1.772")

⁽¹⁾ Part numbers and descriptions vary based on drive configuration and application. Drive serial number must be provided to determine actual part numbers.

Manifold Assembly - ORFS (Post 2019)

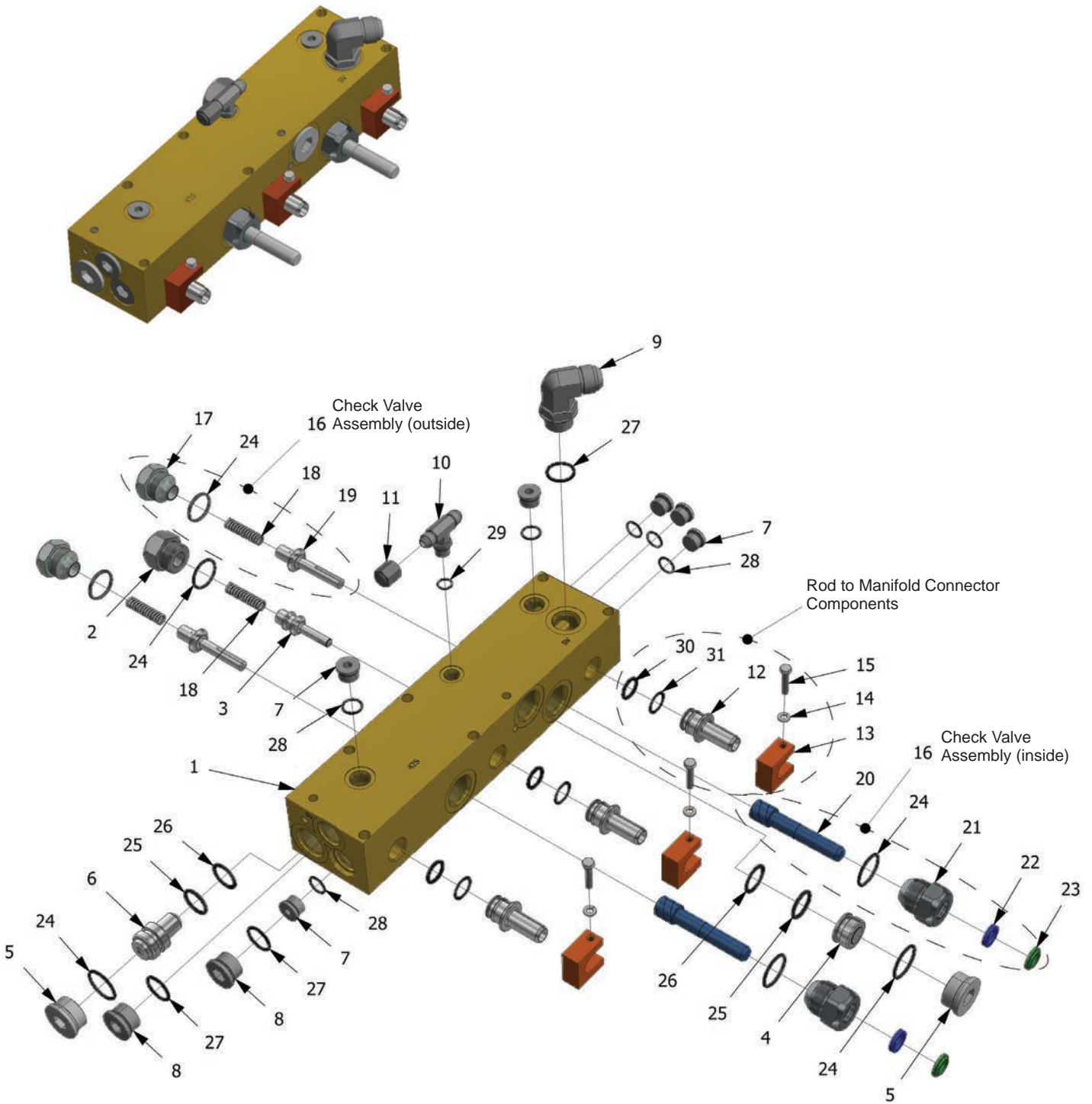


Use hydraulic oil or Vaseline to lubricate seals.
 Do NOT use grease!
 Do NOT use Teflon tape!

Manifold Assembly - ORFS (Post 2019)

ID#	Qty	Part #	Description
-	-	10426803	Manifold Assembly 425 (Includes items 1-33)
1	1	06202101	Manifold Body
2	1	05849001	CONTROL VALVE SPRING END CAP
3	1	05793401	CONTROL VALVE CHECK VALVE
4	1	05793301	CONTROL VALVE PISTON
5	2	84687900	16 HP50N-S HOLLOW HEX PLUG M O-RING HEX SOCKET
6	1	05849801	POPPET CONTROL VALVE
7	6	84687500	08 HP50N-S HOLLOW HEX PLUG M O-RING
8	2	84687700	12 HP50N-S HOLLOW HEX PLUG M O-RING
9	1	84694022	12 C5OLO-S 12-12 STRAIGHT THREAD ELBOW FACE SEAL
10	1	84694035	6 S5OLO-S 6-6-6 STRAIGHT THREAD BRANCH TEE FACE SEAL
11	1	84694057	6 FNL-S FNL 6 STEEL CAP
12	3	05828201	MANIFOLD TO ROD CONNECTOR BUSHING
13	3	05828301	ROD TO MANIFOLD CONNECTOR RETAINER
14	3	87075500	WASHER LOCK 6MM
15	3	87004101	BOLT HEX GR8.8 6MMX30MM FULL THREAD
16	(2)	07335401	Check Valve Assembly (includes items 17-24)
17	1	05754801	CHECK VALVE SPRING END CAP KFD
18	1	84453400	Spring Check Valve External Large
19	1	01766901	CHECK VALVE
20	1	06970701	CHECK VALVE PLUNGER
21	1	06969801	PLUNGER END CAP FITTED WITH BUSHING
22	1	84352200	SEAL ROD 5/8" CHECK VALVE EXTERNAL
23	1	84426800	PLUNGER WIPER CHECK VALVE EXTERNAL 5/8"
24	1	84387800	916 O-RING Buna 90
24	5	84387800	916 O-RING Buna 90
25	2	84381200	213 O-Ring Buna 90
26	2	84391200	8-213 Back-up Buna 90
27	3	84387400	912 O-RING BUNA 90
28	6	84387000	908 O-RING BUNA 90
29	1	84386800	906 O-Ring Buna 90
30	3	84380200	210 O-Ring Buna 90
31	3	84390600	210 Back-up Buna 90
32	2	84375210	O-RING 016 N1490-90 #6 FACE SEAL NITRILE
33	1	84375166	O-RING 016 N1490-90 #12 FACE SEAL NITRILE
-	-	06074501	Manifold Seal Kit (Includes Items 22-33)

Manifold Assembly - JIC (2019)



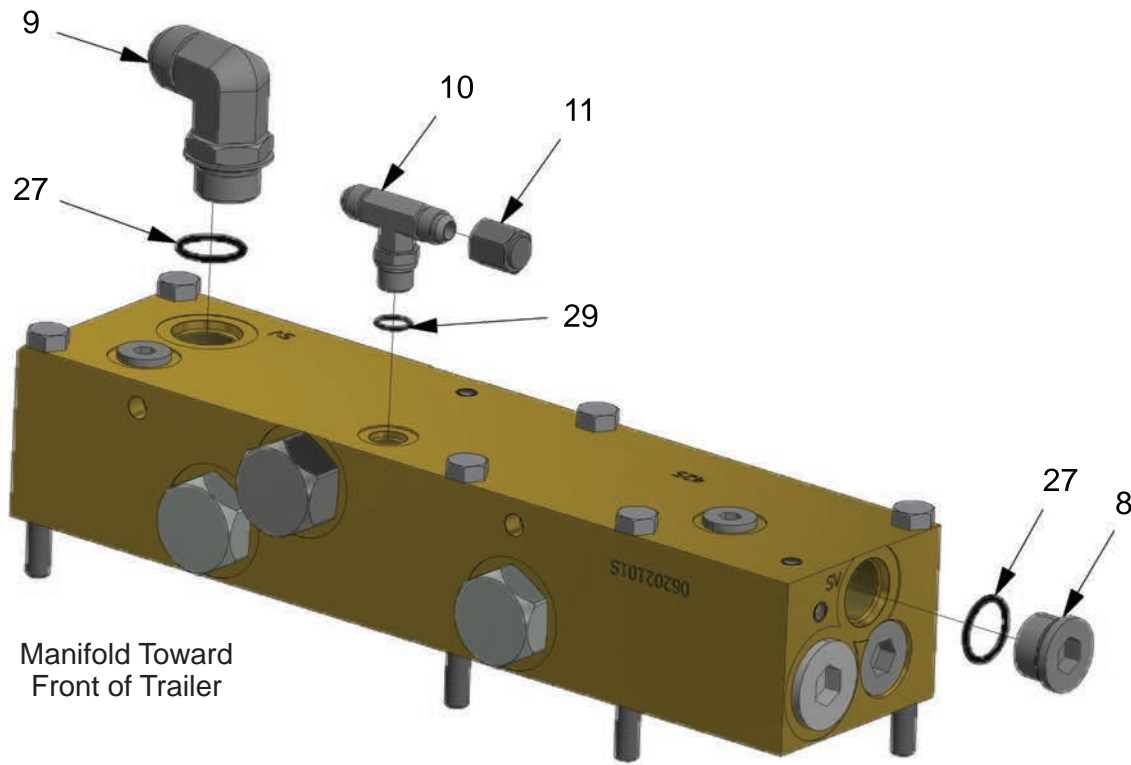
06202003

Use hydraulic oil or Vaseline to lubricate seals.
 Do NOT use grease!
 Do NOT use Teflon tape!

Manifold Assembly - JIC (2019)

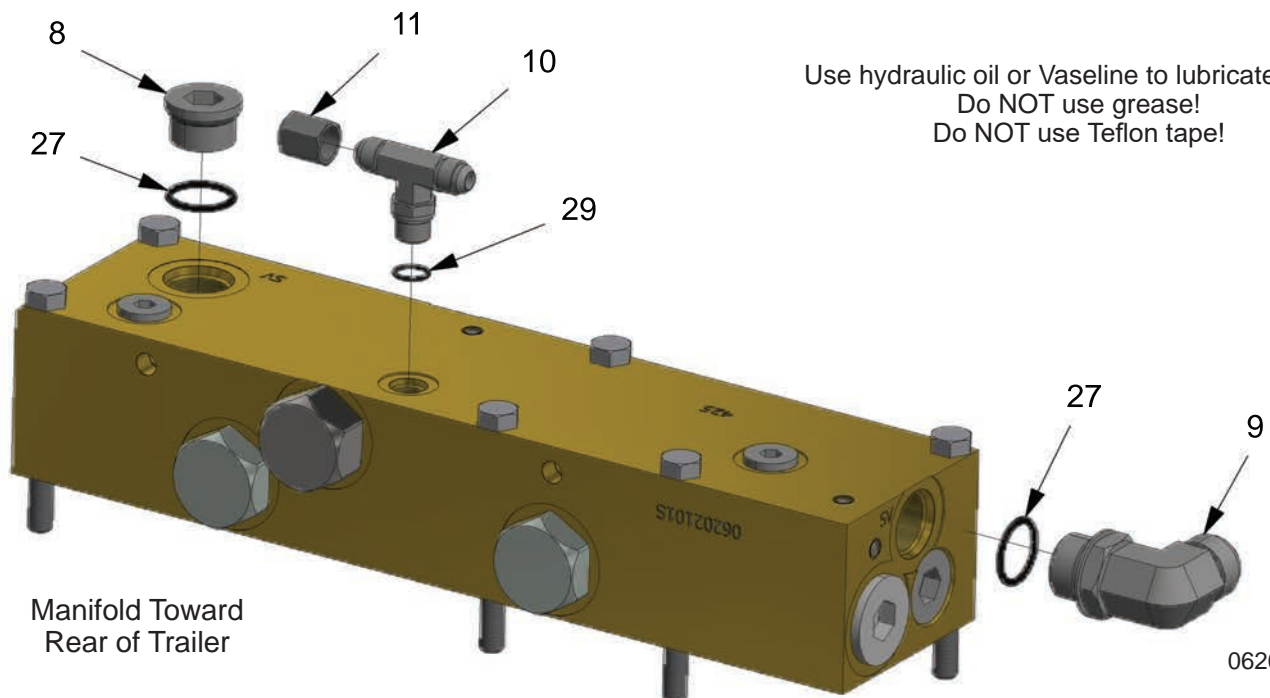
ID #	Qty	Part #	Description
-	-	06202001	Manifold Assembly 425 (Includes items 1-31)
1	1	06202101	Manifold Body
2	1	05849001	CONTROL VALVE SPRING END CAP
3	1	05793401	CONTROL VALVE CHECK VALVE
4	1	05793301	CONTROL VALVE PISTON
5	2	84687900	16 HP5ON-S HOLLOW HEX PLUG M O-RING HEX SOCKET
6	1	05849801	POPPET CONTROL VALVE
7	6	84687500	08 HP5ON-S HOLLOW HEX PLUG M O-RING
8	2	84687700	12 HP5ON-S HOLLOW HEX PLUG M O-RING
9	1	84691500	12 C5OX-S STRAIGHT THREAD ELBOW MJIC X ADJ
10	1	84692000	06 S5OX-S STRAIGH THREAD TEE MJIC X MJIC X ADJ O-RING
11	1	84703300	06 FNTX-S 3/8" CAP NUT
12	3	05828201	MANIFOLD TO ROD CONNECTOR BUSHING
13	3	05828301	ROD TO MANIFOLD CONNECTOR RETAINER
14	3	87075500	WASHER LOCK 6MM
15	3	87004101	BOLT HEX GR8.8 6MMX30MM FULL THREAD
16	(2)	07335401	Check Valve Assembly (includes items 17-24)
17	1	05754801	CHECK VALVE SPRING END CAP KFD
18	1	84453400	Spring Check Valve External Large
19	1	01766901	CHECK VALVE
20	1	06970701	CHECK VALVE PLUNGER
21	1	06969801	PLUNGER END CAP FITTED WITH BUSHING
22	1	84352200	SEAL ROD 5/8" CHECK VALVE EXTERNAL
23	1	84426800	PLUNGER WIPER CHECK VALVE EXTERNAL 5/8"
24	1	84387800	916 O-RING Buna 90
24	5	84387800	916 O-RING Buna 90
25	2	84381200	213 O-Ring Buna 90
26	2	84391200	8-213 Back-up Buna 90
27	3	84387400	912 O-RING BUNA 90
28	6	84387000	908 O-RING BUNA 90
29	1	84386800	906 O-Ring Buna 90
30	3	84380200	210 O-Ring Buna 90
31	3	84390600	210 Back-up Buna 90
-	-	06074501	Manifold Seal Kit (Includes Items 22-31)

Manifold End Fitting Configurations



Manifold Toward Front of Trailer

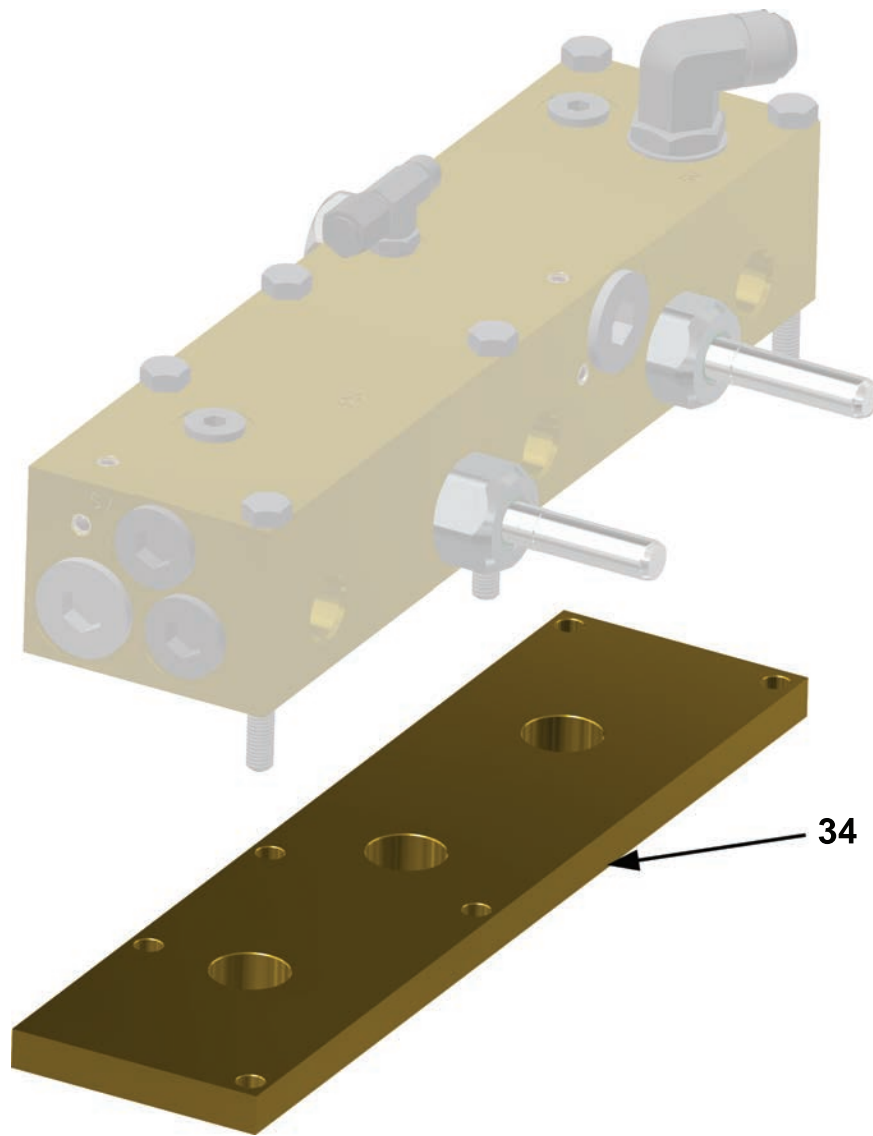
Use hydraulic oil or Vaseline to lubricate seals.
Do NOT use grease!
Do NOT use Teflon tape!



Manifold Toward Rear of Trailer

06202004

Manifold Shim Plate

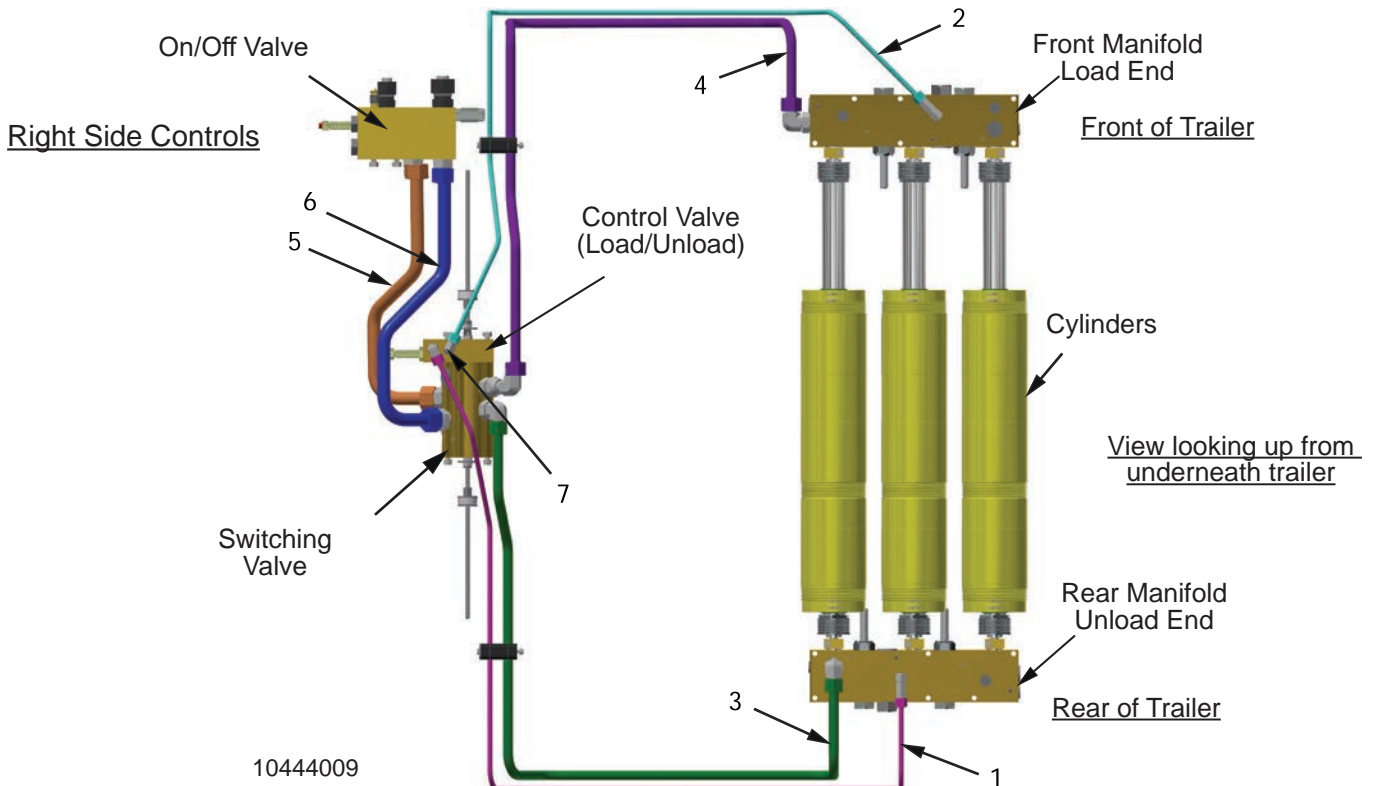
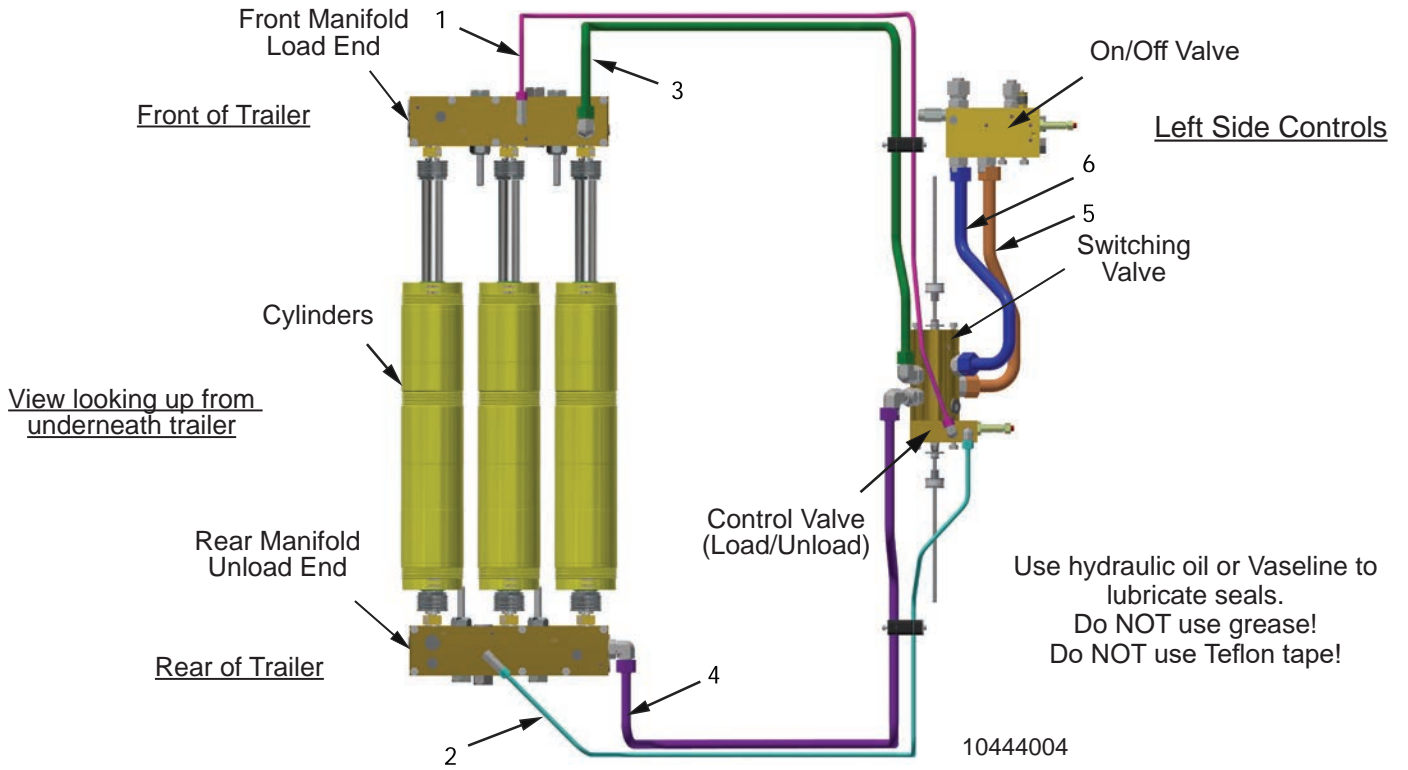


06202003

Manifold Shim Plate

ID #	Qty	Part #	Description
34	1	09914201	Manifold Shim Plate (sold separately)

Hydraulic Tubing - ORFS (Post 2019)

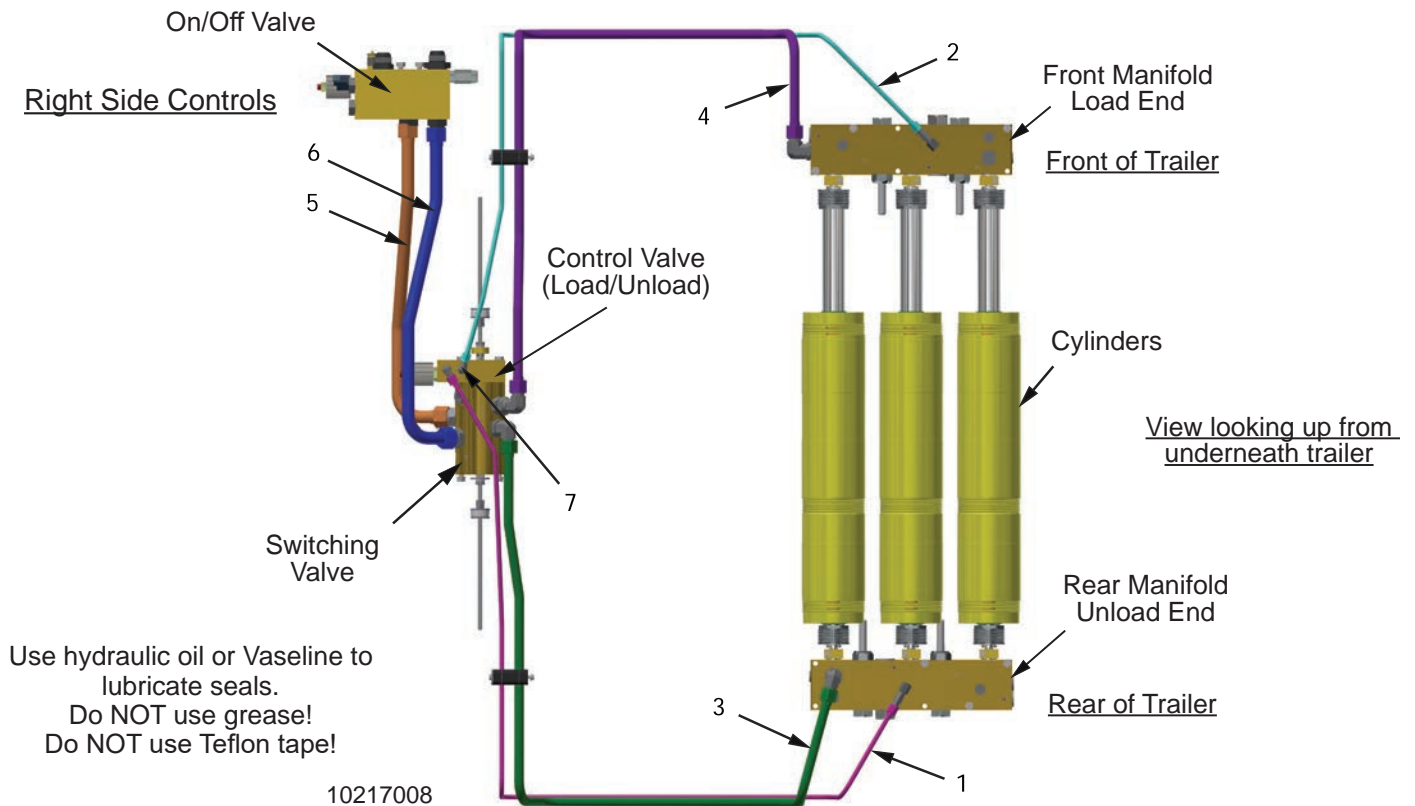
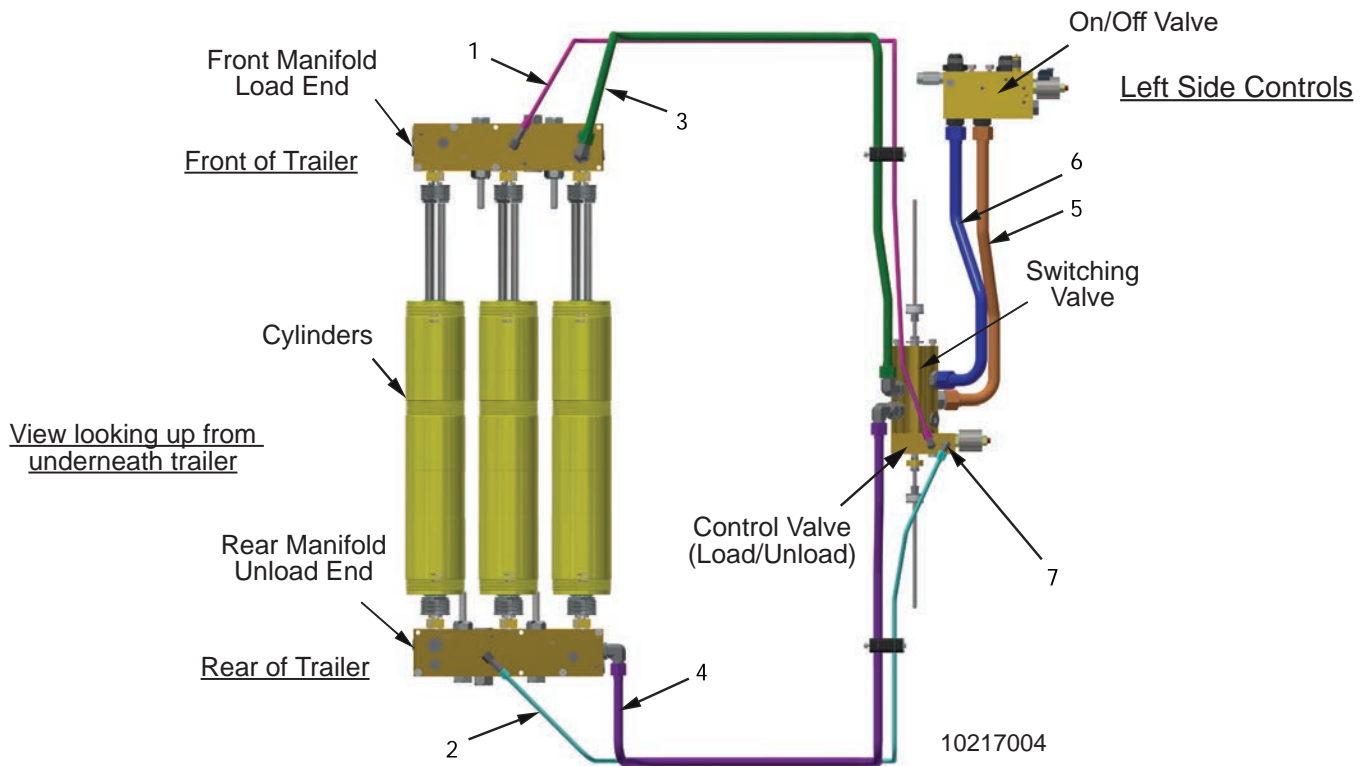


Hydraulic Tubing - ORFS (Post 2019) (Left or Right Side Controls)

ID#	Qty	Left Side Controls Part #	Right Side Controls Part #	Description
1	1	10444012		3/8" Tube - Control Valve To Manifold
2	1	10444013		3/8" Tube - Control Valve To Manifold
3	1	10444014		3/4" Tube - Switching Valve CYL To Manifold SV
4	1	10444015		3/4" Tube - Switching Valve CYL To Manifold SV
5	1	10444016	10444018	1.0" Tube - Switching Valve PUMP To On/Off Valve OUT PRESSURE
6	1	10444017	10444019	1.0" Tube - Switching Valve RES To On/Off Valve TANK
7	2	84694046		-6 C6LO-S 6-6 SWIVEL ELBOW, FACE SEAL

Tubes #1 & #2 switch connection ports (#7) on the control valve actuator block depending on if it is a LH or RH drive.

Hydraulic Tubing - JIC (2019)



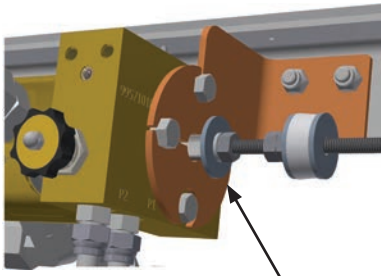
Use hydraulic oil or Vaseline to lubricate seals.
Do NOT use grease!
Do NOT use Teflon tape!

Hydraulic Tubing - JIC 2019 (Left or Right Side Controls)

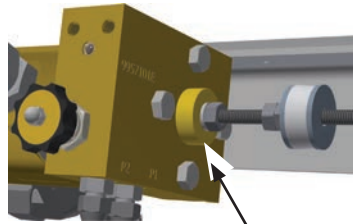
ID#	Qty	Left Side	Right Side	Description
		Controls Part #	Controls Part #	
1	1	09955301		3/8" Tube - Control Valve To Manifold
2	1	09955401		3/8" Tube - Control Valve To Manifold
3	1	09955501		3/4" Tube - Switching Valve CYL To Manifold SV
4	1	09955601		3/4" Tube - Switching Valve CYL To Manifold SV
5	1	10065001	09955901	1.0" Tube - Switching Valve PUMP To On/Off Valve OUT PRESSURE
6	1	10065101	09956001	1.0" Tube - Switching Valve RES To On/Off Valve TANK
7	2	84688570		06 C6X-S SWIVEL ELBOW MJIC X FJIC

Tubes #1 & #2 switch connection ports (#7) on the control valve actuator block depending on if it is a LH or RH drive.

Switching Valve & Control Valve Assembly - ORFS (Post 2019)

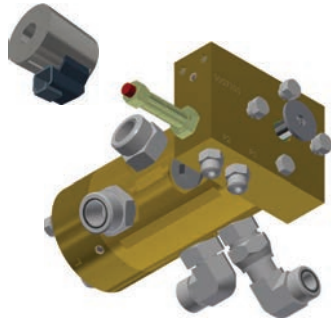


If control valve end is mounted to a bracket, #8 fender washer is required.



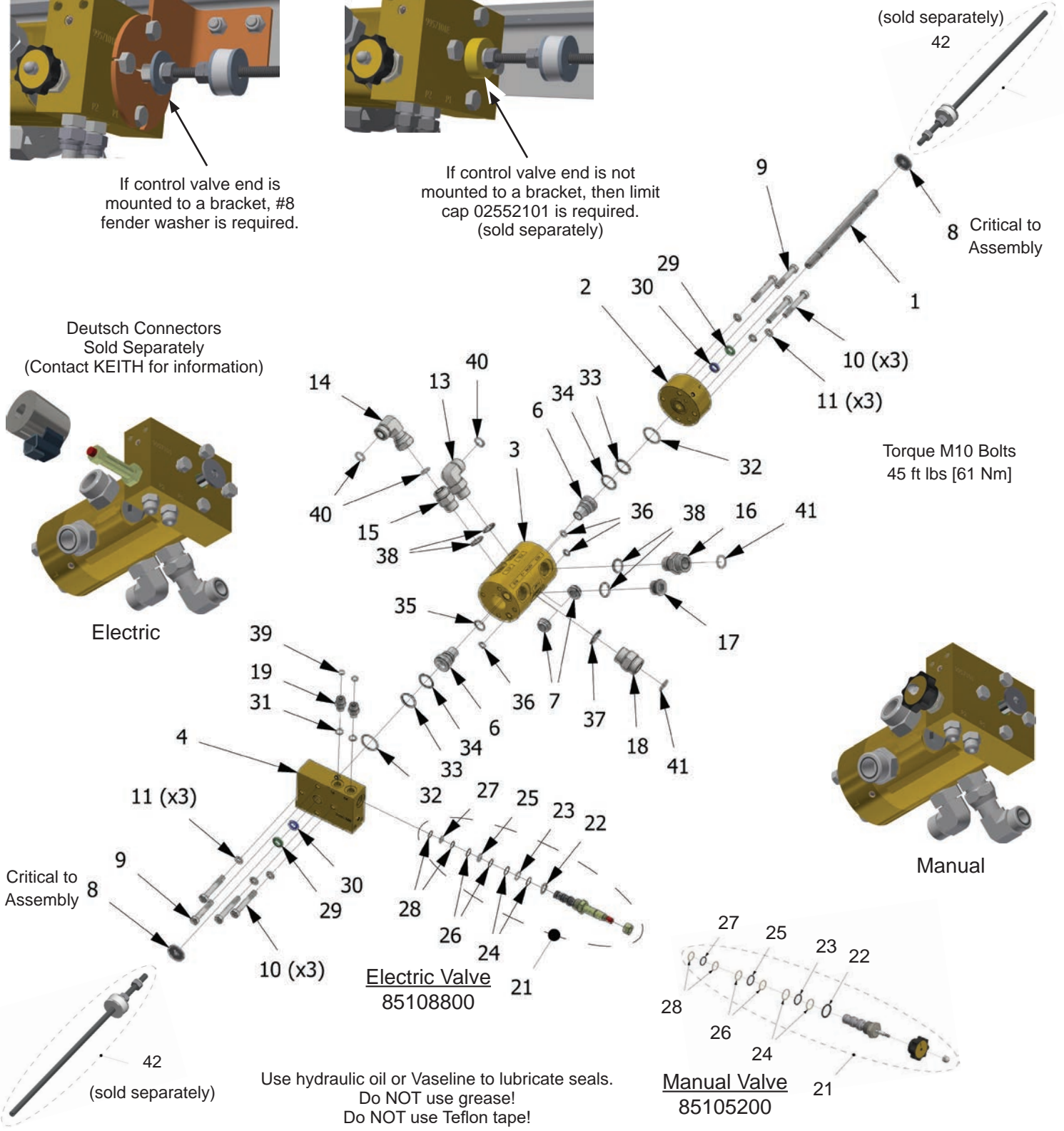
If control valve end is not mounted to a bracket, then limit cap 02552101 is required. (sold separately)

Deutsch Connectors
Sold Separately
(Contact KEITH for information)



Electric

Critical to Assembly



(sold separately)
42

8 Critical to Assembly

Torque M10 Bolts
45 ft lbs [61 Nm]

Manual

Electric Valve
85108800

Use hydraulic oil or Vaseline to lubricate seals.
Do NOT use grease!
Do NOT use Teflon tape!

Manual Valve
85105200

Switching Valve & Control Valve Assembly - ORFS (Post 2019)

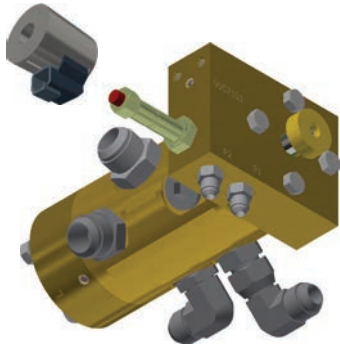
ID#	Qty	Electric Part #	Manual Part #	Description
-	-	10345504	10345501	SWITCHING VALVE & CONTROL VALVE ASSEMBLY (Includes items 1-41)
1	1	01335502		POPPET SWITCHING VALVE ROD
2	1	04504801		LEFT END CAP
3	1	04504602		BODY, POPPET SWITCHING VALVE, METRIC
4	1	09957101		END CAP ACTUATOR - SWITCHING VALVE ASSY
6	2	03718901		Poppet Valve w/ Actuator Piston
7	2	03718801		Poppet Valve, Center
8	2	86553500		WASHER FENDER 3/8"X1-1/2" (Critical to Assembly)
9	2	87009000		Bolt Hex - M10 x 1.5 x 65mm
10	6	87009511		Bolt Hex - M10 x 1.5 x 75mm
11	6	87076500		WASHER LOCK 10MM
13	1	84694022		12 C5OLO-S 12-12 STRAIGHT THREAD ELBOW FACE SEAL
14	2	84694050		12 C6LO-S 12-12 S MORFS X FORFS SWIVEL 90 EL - FACE SEAL
15	1	84703914		12 F5OLO-S 12-12 STRAIGHT THREAD CONN. FACE SEAL
16	1	84703917		16-12 F5OLO-S STRAIGHT THREAD CONNECTOR
17	1	84687700		12 HP5ON-S HOLLOW HEX PLUG M O-RING
18	1	84703905		16 F5OLO-S 16-16 STRAIGHT THREAD CONN. FACE SEAL
19	2	84703910		6 F5OLO-S 6-6 STRAIGHT THREAD CONN. FACE SEAL
21	(1)	85108800	-	Cartridge Valve, Solenoid, Electric (Includes items 22-28)
21	(1)	-	85105200	Cartridge Valve, MRV4-10-K-O-VIC, Manual (Includes items 22-28)
-	-	85108798		Seal Kit for Cartridge Valves (Includes items 22-28)
22	1	84387200		910 O-Ring Buna 90
23	1	84375300		016 O-Ring Buna 90 (not sold separately)
24	2	84388516		O-RING BACKUP 8-016 TS .030 TEFLON (not sold separately)
25	1	84375290		015 O-Ring Buna 90 (not sold separately)
26	2	84388515		O-RING BACKUP 8-015 TS .030 TEFLON (not sold separately)
27	1	84375260		014 O-Ring Buna 90 (not sold separately)
28	2	84388514		O-RING BACKUP 8-014 TS .030 TEFLON (not sold separately)
29	2	84426800		WIPER CHECK VALVE EXTERNAL 5/8"
30	2	84352200		SEAL ROD 5/8" CHECK VALVE EXTERNAL
31	2	84386800		906 O-Ring Buna 90
32	2	84378200		126 O-Ring Buna 90
33	2	84382200		216 O-Ring Buna 90
34	2	84391600		216 Back-up Buna 90
35	1	84377000		117 O-Ring Buna 90
36	3	84376200		111 O-Ring Buna 90
37	1	84387800		916 O-RING BUNA 90
38	4	84387400		912 O-RING BUNA 90
39	2	84375210		O-RING 016 N1490-90 #6 FACE SEAL NITRILE
40	3	84375166		O-RING 016 N1490-90 #12 FACE SEAL NITRILE
41	2	84375167		O-RING 016 N1490-90 #16 FACE SEAL NITRILE
42	(2)	10217701		Threaded Rod Assembly (sold separately)

Switching Valve & Control Valve Assembly - JIC (2019)

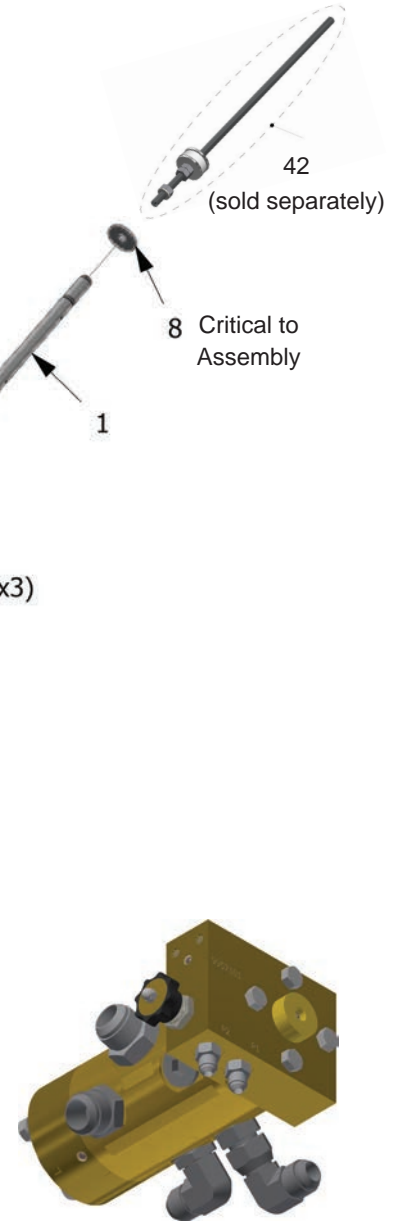
Deutsch Connectors
Sold Separately
(Contact KEITH for information)

Use hydraulic oil or Vaseline to lubricate seals.
Do NOT use grease!
Do NOT use Teflon tape!

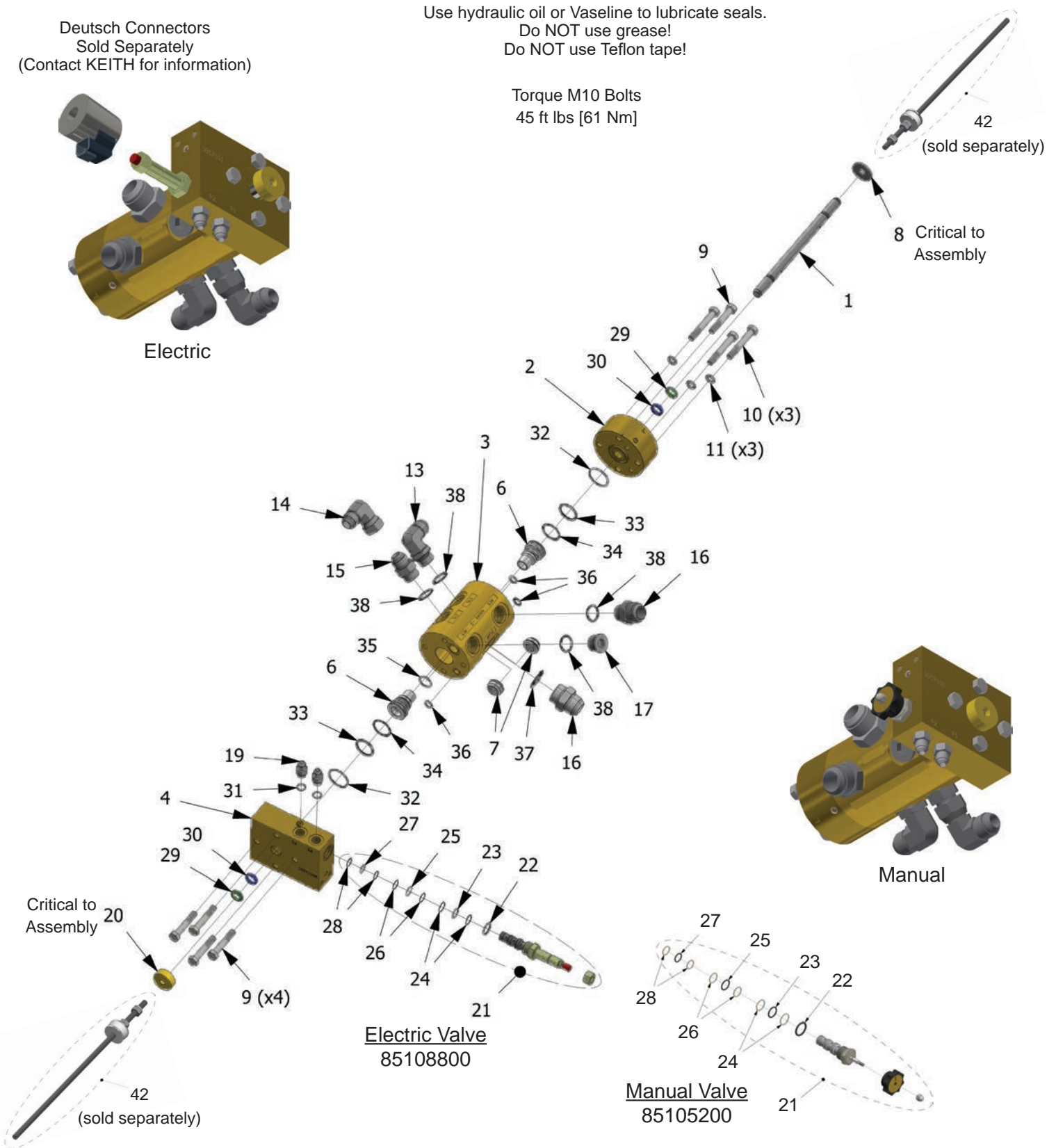
Torque M10 Bolts
45 ft lbs [61 Nm]



Electric



Manual



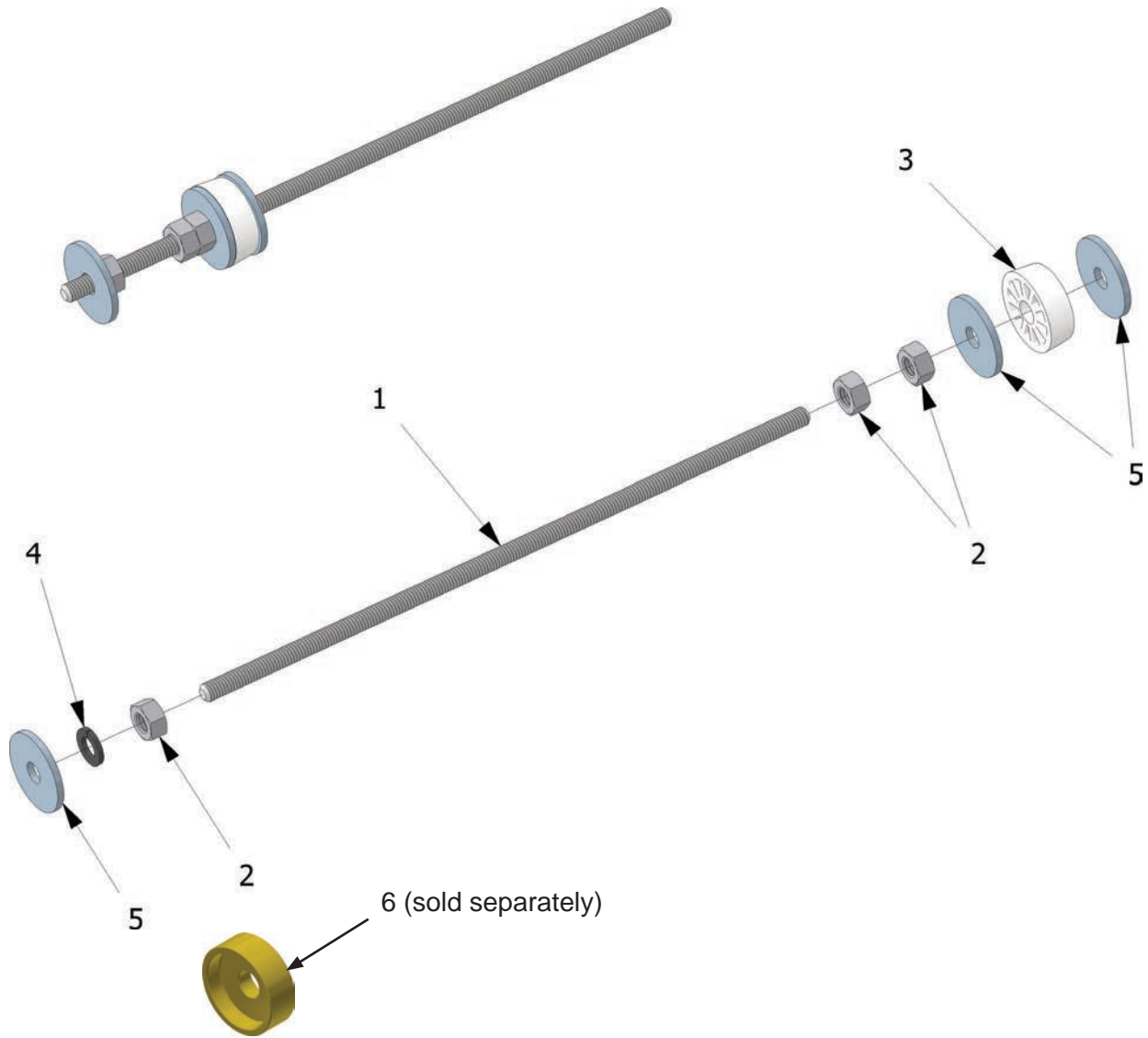
Electric Valve
85108800

Manual Valve
85105200

Switching Valve & Control Valve Assembly - JIC (2019)

ID#	Qty	Electric Part #	Manual Part #	Description
-	-	09956701	09956801	SWITCHING VALVE & CONTROL VALVE ASSEMBLY (Includes items 1-38)
1	1	01335502		Poppet Switching Valve Rod
2	1	04504801		Left End Cap
3	1	04504602		Body, Poppet Switching Valve, Metric
4	1	09957101		End Cap Actuator
6	2	03718901		Poppet Valve w/ Actuator Piston
7	2	03718801		Poppet Valve, Center
8	1	86553500		Washer Fender 3/8"X1-1/2" (Critical to Assembly)
9	3	87009500		Hex Bolt - M10 x 1.5 x 70
10	5	87008500		Hex Bolt - M10 x 1.5 x 60
11	3	87076500		Lock Washer - M10
13	1	84691500		12 C5OX-S Straight Thread Elbow MJIC X ADJ
14	1	84688600		12 C6X-S Swivel Elbow MJIC X FJIC
15	1	84685000		12 F5OX-S Straight Thread Connector MJIC X M O-Ring
16	1	84685300		16-12 F5OX-S Straight Thread Connector MJIC X M O-Ring
17	1	84687700		12 HP5ON-S Hollow Hex Plug M O-Ring
18	1	84685400		16 F5OX-S Straight Thread Connector MJIC X M O-Ring
19	2	84684000		06 F5OX-S Straight Thread Connector MJIC X M
20	1	02552101		Limit Cap, Switching Valve (Critical to Assembly)
21	(1)	85108800	-	Cartridge Valve, Solenoid, Electric (Includes items 22-28)
21	(1)	-	85105200	Cartridge Valve, MRV4-10-K-O-VIC, Manual (Includes items 22-28)
-	-	85108798		Seal Kit for Cartridge Valves (Includes items 22-28)
22	1	84387200		910 O-Ring Buna 90
23	1	84375300		016 O-Ring Buna 90 (not sold separately)
24	2	84388516		O-Ring Backup 8-016 TS .030 Teflon (not sold separately)
25	1	84375290		015 O-Ring Buna 90 (not sold separately)
26	2	84388515		O-Ring Backup 8-015 TS .030 Teflon (not sold separately)
27	1	84375260		014 O-Ring Buna 90 (not sold separately)
28	2	84388514		O-Ring Backup 8-014 TS .030 Teflon (not sold separately)
29	2	84426800		Plunger Wiper Check Valve External 5/8"
30	2	84352200		Rod Seal 5/8" Check Valve External
31	2	84386800		906 O-Ring Buna 90
32	2	84378200		126 O-Ring Buna 90
33	2	84382200		216 O-Ring Buna 90
34	2	84391600		216 Back-up Buna 90
35	1	84377000		117 O-Ring Buna 90
36	3	84376200		111 O-Ring Buna 90
37	1	84387800		916 O-Ring Buna 90
38	4	84387400		912 O-Ring Buna 90
42	(2)	10217701		Threaded Rod Assembly (sold separately)

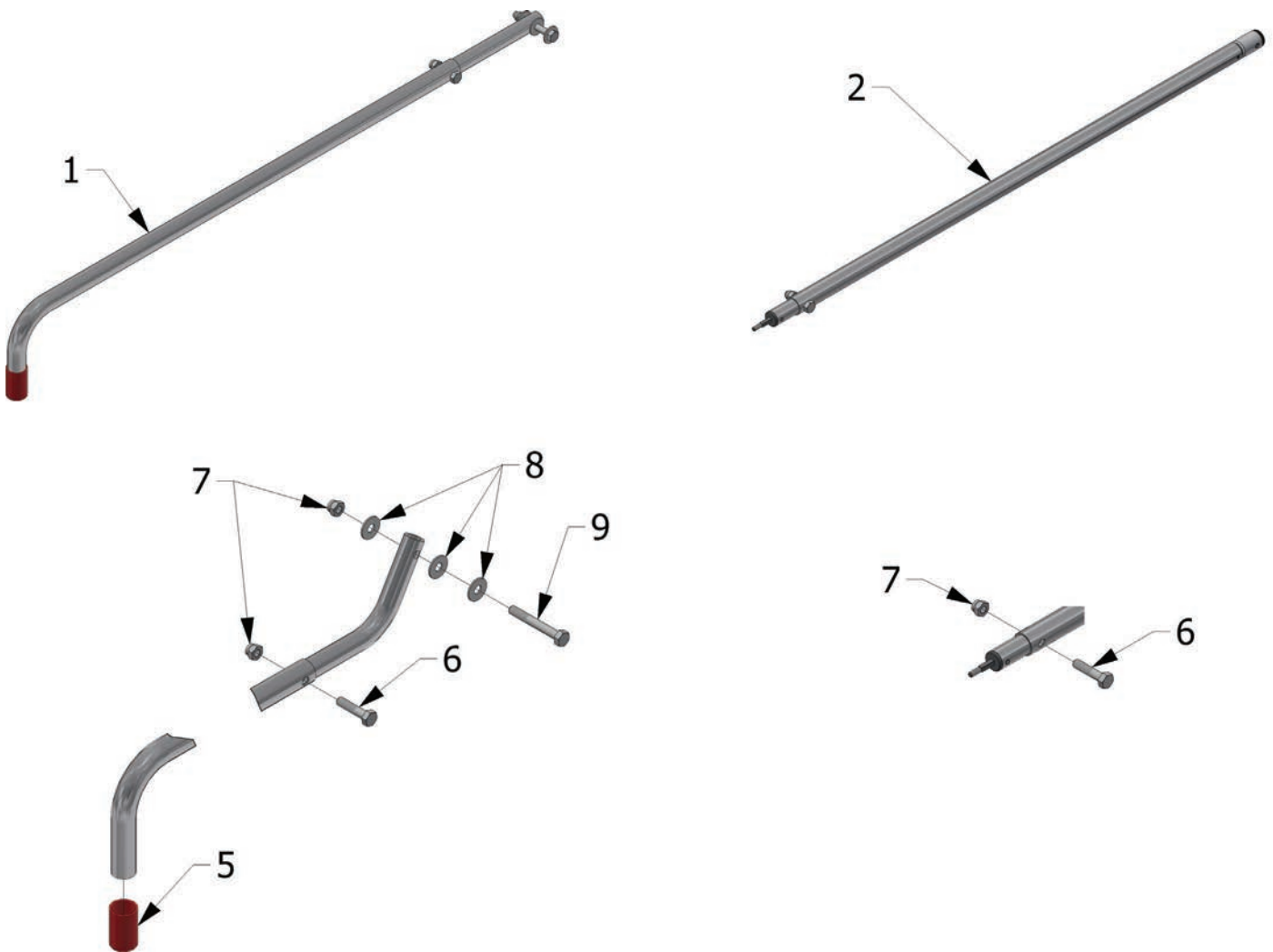
Threaded Rod Assembly



Threaded Rod Assembly

ID#	Qty	Part #	Description
-	-	10217701	Rod Threaded Assembly-Metric KFD (Includes items 1-5)
1	1	87150500	Threaded Rod 10MM X 12-1/4"
2	1	83217500	Switching Valve Grommet
3	3	86553500	Washer Large OD 3/8"x1-1/2"
4	3	87101500	Nut Hex M10x1.5
5	1	87076500	Washer 10MM Zinc
6	1	02552101	Limit Cap, Switching Valve (sold separately)

Handle Assemblies



11364801

Handle Assemblies

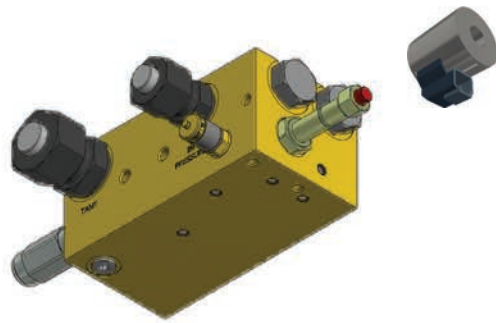
ID#	Qty	Part #	Description
1	-	11262701	Telescoping Ball Valve Handle Assembly (Includes items 5-9)
2	-	11263101	Telescoping 33-59" Rotary Control Valve Handle Assembly (Includes items 6-7)
5	1	85711565	ROUND END CAP - RED - .875" ID X 1.5" LONG FOR HANDLES
6	1	87005950	BOLT HEX 8.8 8-1.25MM X 35MM ZN
7	2	87101000	NUT HEX NYLOCK 8MM-1.25
8	3	86552500	WASHER FLAT 5/16" ZINC
9	1	87006200	BOLT HEX 8.8 8-1.25MM X 60MM ZN

On / Off Valve Assembly - ORFS (Post 2019)

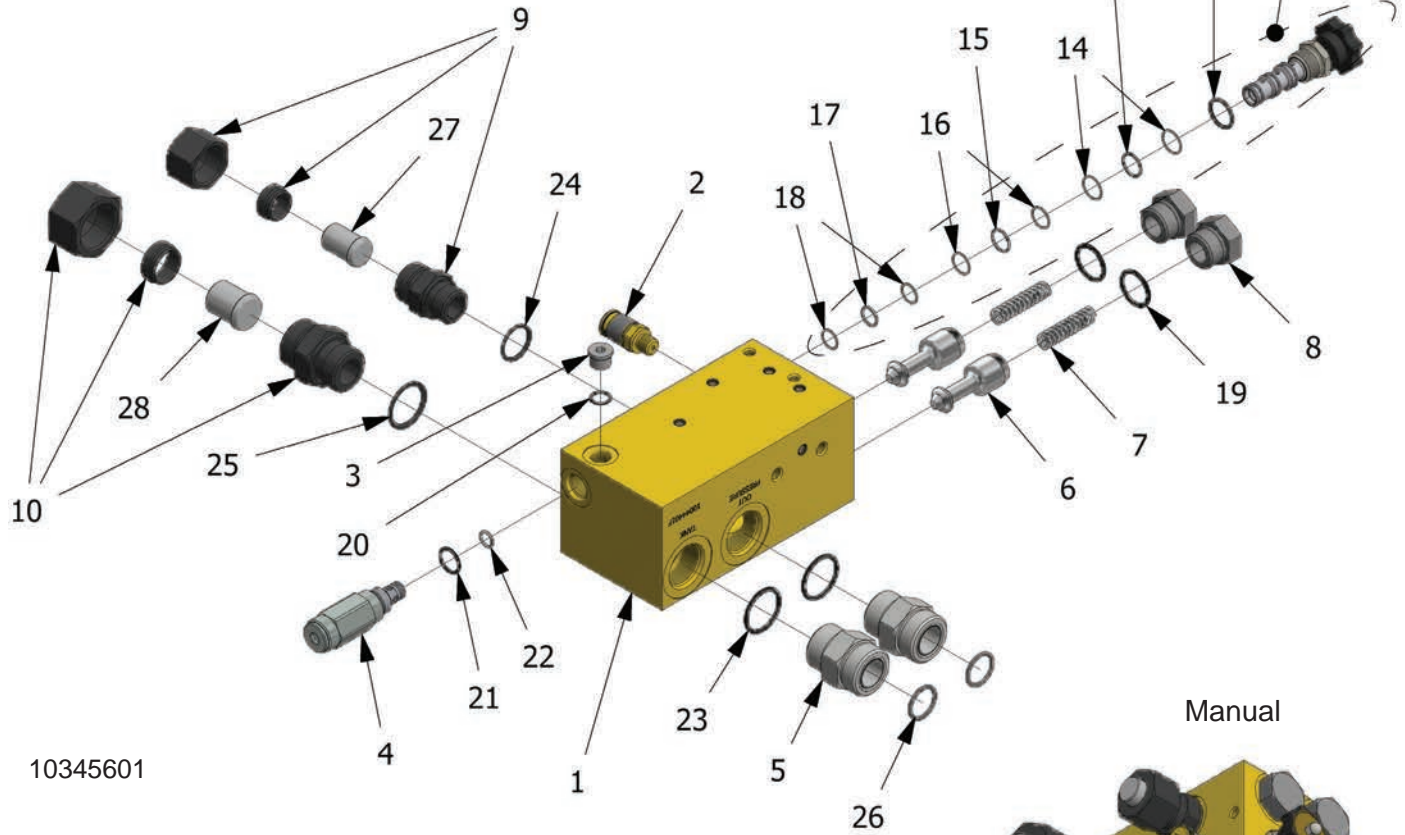
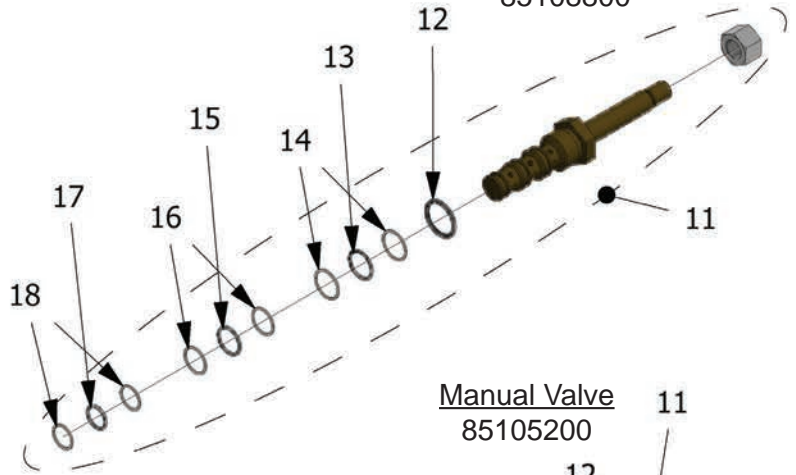
Deutsch Connectors
Sold Separately
(Contact KEITH for information)

Electric Valve
85108800

Manual Valve
85105200

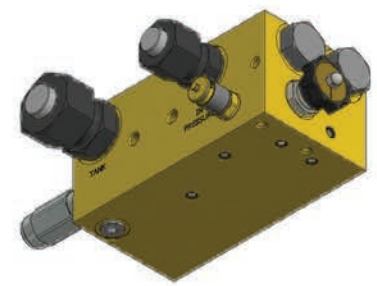


Electric



10345601

Manual

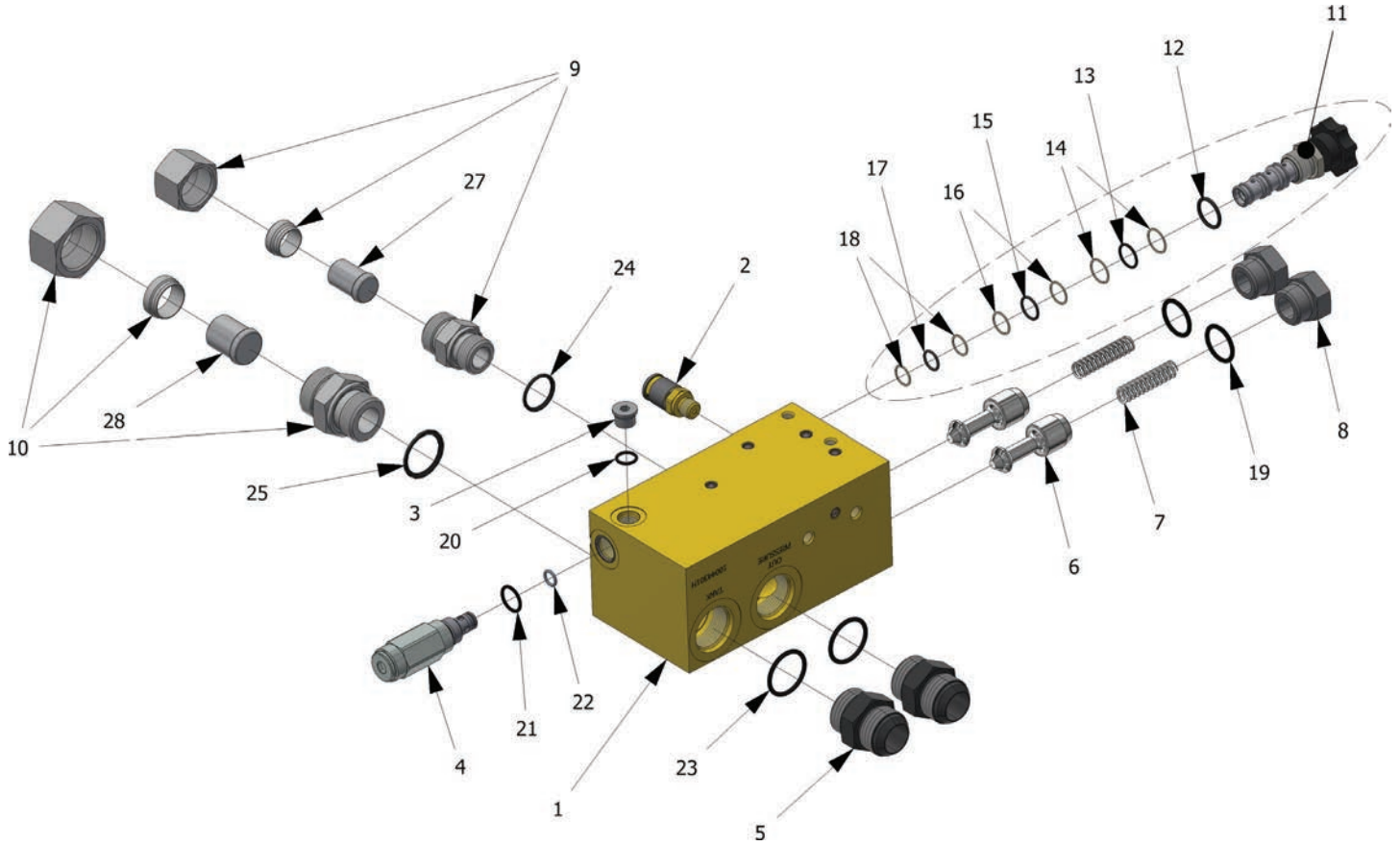


Use hydraulic oil or Vaseline to lubricate seals.
Do NOT use grease!
Do NOT use Teflon tape!

On / Off Valve Assembly - ORFS (Post 2019)

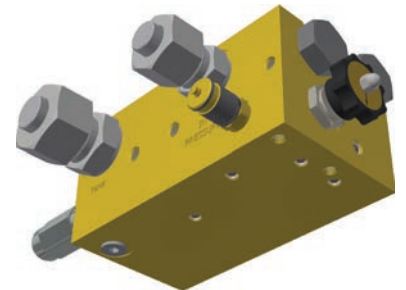
ID#	Qty	Electric Part #	Manual Part #	Description
-	-	10345604	10345601	ON / OFF VALVE ASSEMBLY (Includes items 1-28)
1	1	10044301		Main Body On-Off Ball Valve
2	1	84904000		Test Coupling SMK20-G1/4VC
3	1	84687400		06 HP5ON-S HOLLOW HEX PLUG M O-RING HEX SOCKET
4	1	85107560		RELIEF VALVE (3000 PSI), HYDRAFORCE RVO8-20H-0-N-33/30.0
5	2	84703905		16 F5OLO-S 16-16 STRAIGHT THREAD CONN. FACE SEAL
6	2	04438401		On\Off Poppet
7	2	84453400		SPRING B-18273 EXT CKV LARGE
8	2	84686900		12 P5ON-S Hex Head Plug M O-Ring Hex Cap
9	1	84678856		GE-R-ED MSLR DTUD Connector (BSPP w/Seal Type E) GE20SRED CF
10	1	84678857		GE-R-ED MSLR DTUD Connector (BSPP w/Seal Type E) GE25SRED CF
11	(1)	85108800	-	CARTRIDGE VALVE, SOLENOID (Includes items 12-18)
		-	85105200	MANUAL CONTROL VALVE ACTUATOR (Includes items 12-18)
-	-	85108798		Seal Kit for Cartridge Valves (Includes items 12-18)
12	1	84387200		910 O-Ring Buna 90
13	1	84375300		016 O-Ring Buna 90 (not sold separately)
14	2	84388516		O-Ring Backup 8-016 TS .030 Teflon (not sold separately)
15	1	84375290		015 O-Ring Buna 90 (not sold separately)
16	2	84388515		O-Ring Backup 8-015 TS .030 Teflon (not sold separately)
17	1	84375260		014 O-Ring Buna 90 (not sold separately)
18	2	84388514		O-Ring Backup 8-014 TS .030 Teflon (not sold separately)
19	2	84387400		912 O-Ring Buna 90
20	1	84386800		906 O-Ring Buna 90
21	1	84387000		908 O-Ring Buna 90
22	1	84375210		# 012 O-Ring Buna, 90 DURO
23	2	84387800		916 O-Ring Buna 90
24	1	84689951		EO20 O-Ring
25	1	84689954		EO25 O-Ring
26	2	84375167		O-RING 016 N1490-90 #16 FACE SEAL NITRILE
27	1	10620601		Plug Hyd Fitting GE-R-ED MSLR DTUD Connector GE20SRED CF
28	1	10620602		Plug Hyd Fitting GE-R-ED MSLR DTUD Connector GE25SRED CF

On / Off Valve Assembly - JIC (2019)



10217601

Use hydraulic oil or Vaseline to lubricate seals.
 Do NOT use grease!
 Do NOT use Teflon tape!

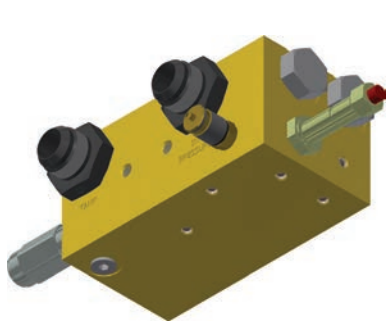


Manual

On / Off Valve Assembly - JIC (2019)

ID#	Qty	Manual Part #	Description
-	-	10217601	ON / OFF VALVE ASSEMBLY (Includes items 1-23)
1	1	10044301	Main Body On-Off Ball Valve
2	1	84904000	Test Coupling SMK20-G1/4VC
3	1	84687400	06 HP5ON-S Hollow Hex Plug M O-Ring Hex Socket
4	1	85107560	Relief Valve (3000 PSI) 33/33.0, Hydraforce
5	2	84685400	16 F5OX-S Straight Thread Connector MJIC X M O-Ring
6	2	04438401	On\Off Poppet
7	2	84454730	71570 Spring
8	2	84686900	12 P5ON-S Hex Head Plug M O-Ring Hex Cap
9	1	84678856	GE-R-ED MSLR DTUD Connector (BSPP w/Seal Type E) GE20SREDCF
10	1	84678857	GE-R-ED MSLR DTUD Connector (BSPP w/Seal Type E) GE25SREDCF
11	(1)	85105200	MANUAL CONTROL VALVE ACTUATOR (Includes items 11-17)
-	-	85108798	Seal Kit for Cartridge Valves (Includes items 12-18)
12	1	84387200	910 O-Ring Buna 90
13	1	84375300	016 O-Ring Buna 90 (not sold separately)
14	2	84388516	O-Ring Backup 8-016 TS .030 Teflon (not sold separately)
15	1	84375290	015 O-Ring Buna 90 (not sold separately)
16	2	84388515	O-Ring Backup 8-015 TS .030 Teflon (not sold separately)
17	1	84375260	014 O-Ring Buna 90 (not sold separately)
18	2	84388514	O-Ring Backup 8-014 TS .030 Teflon (not sold separately)
19	2	84387400	912 O-Ring Buna 90
20	2	84386800	906 O-Ring Buna 90
21	1	84387000	908 O-Ring Buna 90
22	1	84375210	# 012 O-Ring Buna, 90 DURO
23	2	84387800	916 O-Ring Buna 90
24	1	84689951	EO20 O-Ring
25	1	84689954	EO25 O-Ring
27	1	10620601	Plug Hyd Fitting GE-R-ED MSLR DTUD Connector GE20SREDCF
28	1	10620602	Plug Hyd Fitting GE-R-ED MSLR DTUD Connector GE25SREDCF

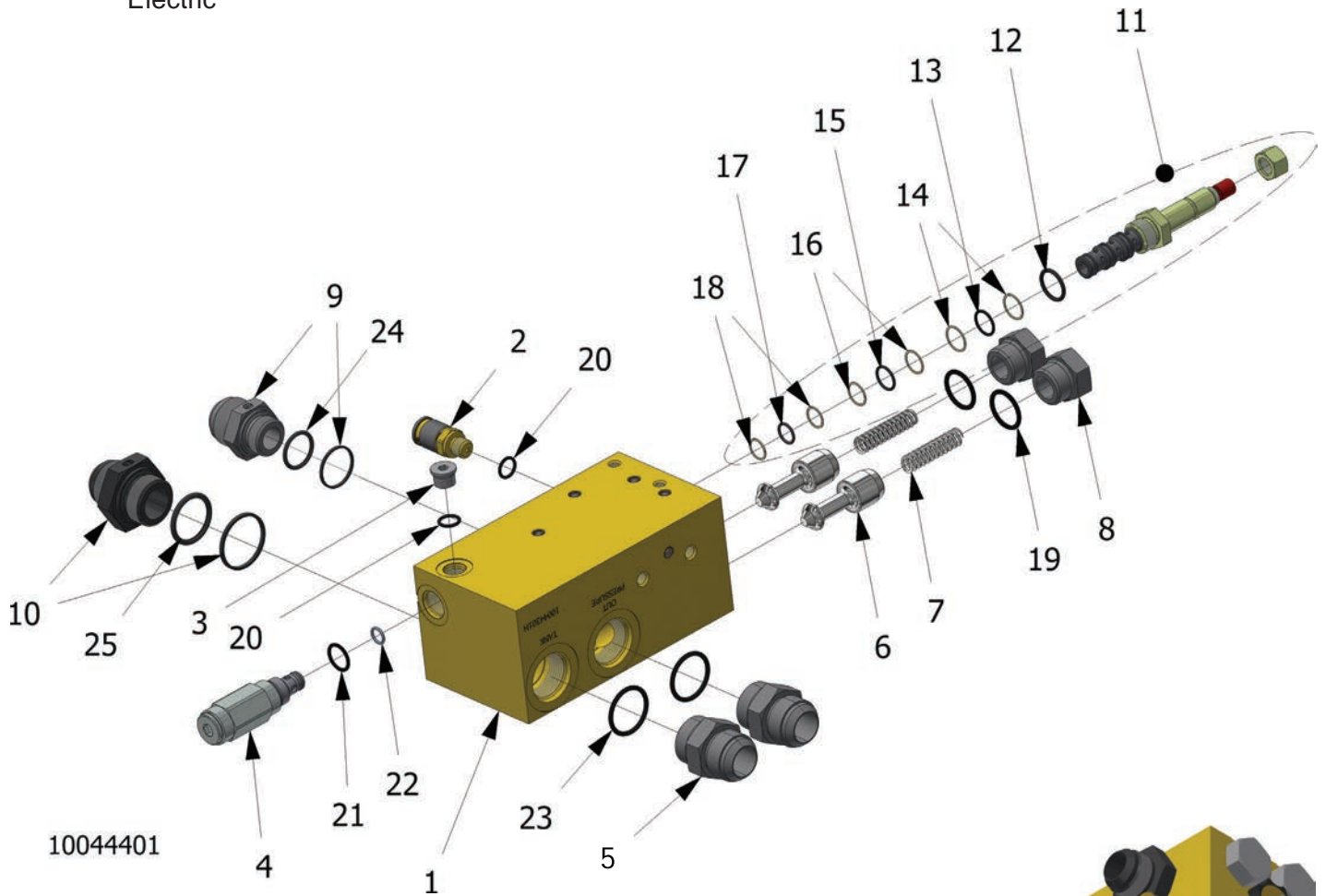
On / Off Valve Assembly - JIC (2018)



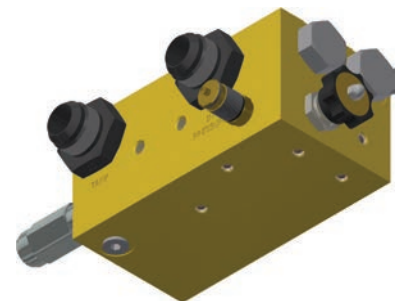
Electric



Deutsch Connectors
Sold Separately
(Contact KEITH for information)



10044401



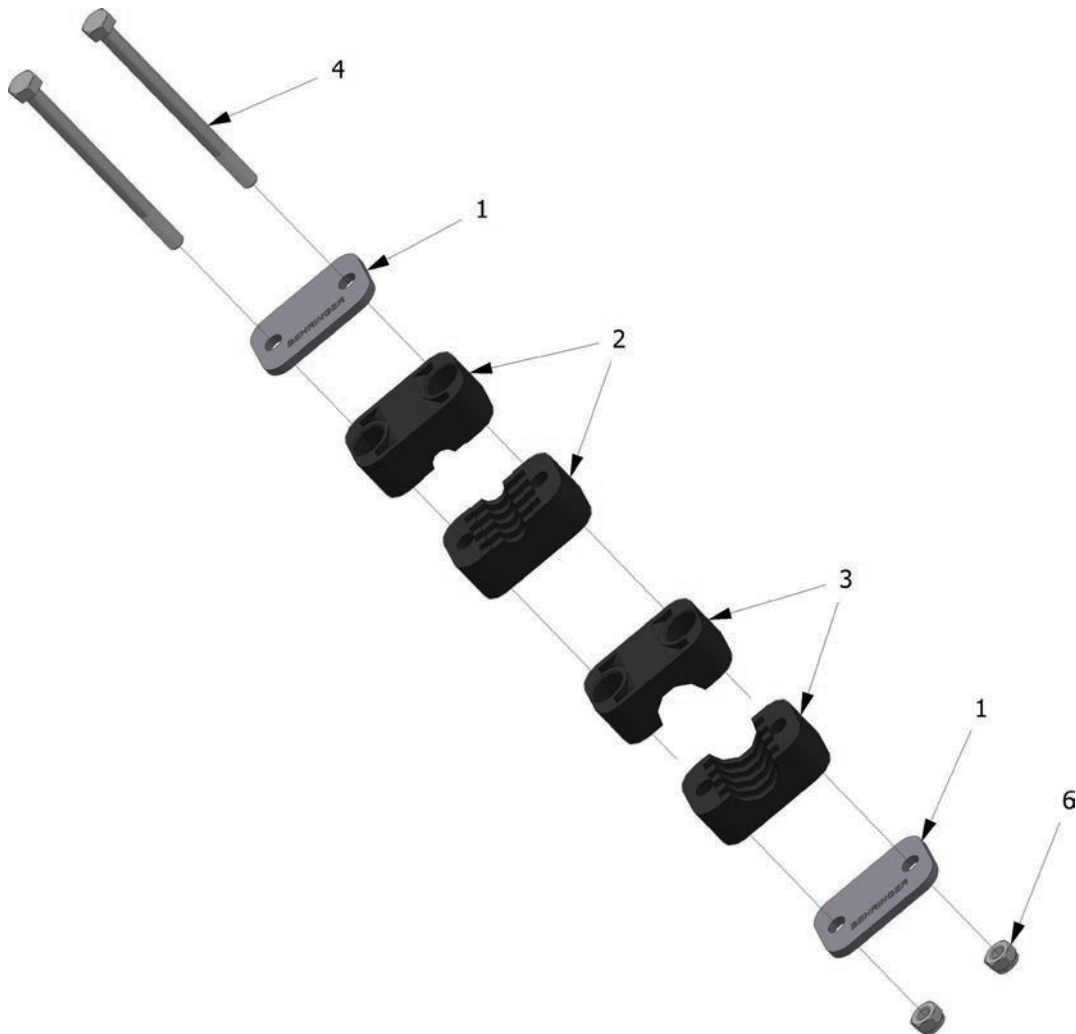
Manual

Use hydraulic oil or Vaseline to lubricate seals.
Do NOT use grease!
Do NOT use Teflon tape!

On / Off Valve Assembly - JIC (2018)

ID#	Qty	Electric Part #	Manual Part #	Description
-	-	10044401	10217601	ON / OFF VALVE ASSEMBLY (Includes items 1-23)
1	1	10044301		Main Body On-Off Ball Valve
2	1	84904000		Test Coupling SMK20-G1/4VC
3	1	84687400		06 HP5ON-S Hollow Hex Plug M O-Ring Hex Socket
4	1	85107560		Relief Valve (3000 PSI) 33/33.0, Hydraforce
5	2	84685400		16 F5OX-S Straight Thread Connector MJIC X M O-Ring
6	2	04438401		On\Off Poppet
7	2	84454730		71570 Spring
8	2	84686900		12 P5ON-S Hex Head Plug M O-Ring Hex Cap
9	1	84671380		16-12 F40MX-S STRAIGHT BSPP MJIC X BSPP (7002-16-12)
10	1	84671400		16 F40MX-S STRAIGHT BSPP MJIC X BSPP (7002-16-16)
11	(1)	85108800	-	CARTRIDGE VALVE, SOLENOID (Includes items 11-17)
11	(1)	-	85105200	MANUAL CONTROL VALVE ACTUATOR (Includes items 11-17)
-	-	85108798		Seal Kit for Cartridge Valves (Includes items 12-18)
12	1	84387200		910 O-Ring Buna 90
13	1	84375300		016 O-Ring Buna 90 (not sold separately)
14	2	84388516		O-Ring Backup 8-016 TS .030 Teflon (not sold separately)
15	1	84375290		015 O-Ring Buna 90 (not sold separately)
16	2	84388515		O-Ring Backup 8-015 TS .030 Teflon (not sold separately)
17	1	84375260		014 O-Ring Buna 90 (not sold separately)
18	2	84388514		O-Ring Backup 8-014 TS .030 Teflon (not sold separately)
19	2	84387400		912 O-Ring Buna 90
20	2	84386800		906 O-Ring Buna 90
21	1	84387000		908 O-Ring Buna 90
22	1	84375210		# 012 O-Ring Buna, 90 DURO
23	2	84387800		916 O-Ring Buna 90
24	1	84689951		EO20 O-Ring
25	1	84689954		EO25 O-Ring

Hydraulic Tube Clamp 3/8" & 3/4"



Hydraulic Tube Clamp

ID #	Qty	Part #	Description
-	-	10426102	TUBE CLAMP ASSY 3/8" & 3/4" TUBE KFD
1	2	84751200	Cover Plate COP-03
2	2	84750100	Clamp 3/8" Tube 3038-PP Special
3	2	84750200	Clamp 3/4" Tube 3190-PP
4	2	87004600	Bolt Hex GR8.8 6mmx85mm
6	2	87100500	Nut Hex Nylock 6mm

(Final Page)